

Loop-AM3440 Access DCS-MUX

AM3440-A



AM3440-B



AM3440-C



Description

The Loop-AM3440-A/B/C series are Access DCS-MUXs that combine various digital access interfaces into E1 or T1 lines for convenient transport and switching. The Loop-AM3440 Access DCS-MUX provides access for a variety of TDM, IP, and voice interfaces detailed on the next page. These interfaces are compatible with other Loop products. Using these products, a DTE interface can be extended over copper wire pairs or any E1/T1 transport facility. Each Quad E1/T1 plug-in card can have as many as DS0 124/96 time slots from G.SHDSL, RS232, X.21, V.35, V.36 and EIA530 / RS449 interfaces, which can be multiplexed to fill 4 E1/T1 lines. The AM3440 also supports fiber optical plug-in cards, which can be used to aggregate up to 4 E1 channels onto a single fiber optical interface to connect with other AM3440 devices or with the O9310-E1.

Each of the 3 models of AM3440-A, B, and C has a number of plug-in slots in single slot size and mini size. Card size to slot compatibility is detailed on the next page.

This unit is a full cross-connect and can act as a mini DACS: one or more of the WAN ports can be used as a Drop & Insert function with fractional E1/T1 lines, which can be muxed into a full E1/T1 line.

Redundancy is available in dual CPU controller and power supply options, making it an excellent fit for critical applications. The chassis does not need fan cooling, and thus does not have a fan, though an external fan tray is available.

The AM3440 supports local control and diagnostics by using a VT-100 terminal connected to the console port. There are LED indications for all plug-in cards. The AM3440 also supports Ethernet, Telnet, and SNMP, so that it can be controlled and diagnosed from remote locations. An in-band management channel with GUI is available.

The AM3440 consists of a rugged reinforced aluminum chassis, giving this equipment a durable structure and a long-lasting physical life.

Features

- Full frontal access (ETSI) Shelf
- DS0 DACS (Digital Access Cross-Connect System) with full cross-connect support
- Dual controller, dual power with load sharing
- 1 for 1 protection via Y-BOX
- 1 for 1 protection, E1, T1, FOM
- PDH ring protection, QE1, QT1, FOM, Mini QE1
- Console, Telnet, and Inband management support
- SNMP v.1 and v.3
- Craft interface port for connection to external Intelligent Front Panel
- Compatible to a SNMP based GUI network management system and supported by LoopView and Loop iNMS
- Three chassis types available: AM3440-A, AM3440-B, AM3440-C
- All the plug-in cards are hot-pluggable

Item	AM3440-A	AM3440-B	AM3440-C
Chassis	5U	2.5U	3U
# of Mini-slots	4	4	4
# of Single slots	12	3	5
Maximum E1 Channels	64	28	36
Maximum T1 Channels	52	16	24
Cross-Connect Backplane Capacity	128 Mbps	56 Mbps	72 Mbps

Loop-AM3440 plug-in cards:

The mini-slot cards plug into the mini-slots of the AM3440. The single-slot cards plug into single slots. The dual-slot cards plug into two adjacent single slots.

Plug-in cards		AM3440-A	AM3440-B	AM3440-C
Mini-Slot	1-channel E1 (Single E1 interface)	√	√	√
	1-channel T1 (Single T1 interface)	√	√	√
	Mini Quad E1 (Four E1 interfaces)	√	√	√
	1-channel E1 ATM/Frame Relay	D	D	D
	1-channel T1 ATM/Frame Relay	D	D	D
	Fiber optical interface	√	√	√
	1-channel X.21	√	√	√
	1-channel V.35	√	√	√
	1-channel RS232	√	√	√
	1-channel EIA530	√	√	√
	Quad 2W/4W E&M (Four E&M voice interfaces)	D	D	D
	Quad E&MA	#	√	√
	QMAGA (Four magneto voice interfaces)	#	√	√
	QFXS (Four FXS voice interfaces)	D	D	D
	QFXO (Four FXO voice interfaces)	#	√	√
	QFXSA (Four FXSA voice interfaces)	#	√	√
	2-LAN port/32 WAN port Router	√	√	√
	2-LAN port/64 WAN port Router-A	√	√	√
	3-channel Terminal Server	√	√	√
	Phone Line Monitor (PLM) cards	x	√	√
	1-channel OCU-DP	x	√	√
	Echo Canceller Card	#	√	√
	Analog Bridge Card	#	√	√
	Mini 1-channel low speed optical (C37.94)	√	√	√
	Single-Slot	3-channel E1	√	x
3-channel T1		√	x	√
4-channel E1		√	√	√
4-channel T1		√	√	√
8-channel OCU-DP		√	x	x
2-channel G.SHDSL (2 pairs) w/o line power		√	√	√
4-channel G.SHDSL (1 pair) w/o line power		√	√	√
8-channel G.703 card at 64 Kbps data rate		√	√	√
8-channel Dry Contact I/O		√	√	√
8-channel Dry Contact I/O type B		√	√	√
8-channel 2W/4W E&M		√	√	√
8-channel 2W/4W E&MA		√	√	√
12-channel FXS		√	√	√
12-channel FXO		√	√	√
12-channel FXOA		√	√	√
12-channel Magneto		D	D	D
Conference card		√	√	√
1-channel low speed optical (C37.94)		√	√	√
4-channel low speed optical (C37.94)		√	√	√
8-channel RS232 with X.50 subrate		√	√	√
6-channel RS232 with V.110 encoding		√	√	√
8-LAN-port/ 64-WAN-port Router-B		√	√	√
4-channel TDMoE		D	D	D
4-channel TDMoEA		√	√	√
8-channel Data Bridge		√	√	√
1FOMA		√	√	√
6-channel UDTEA		√	√	√
8-channel UDTEA		√	√	√
6-channel G.703 Interface card (6CDA)	√	√	√	
Dual-Slot	6-channel X.21/V.11	D	D	D
	6-channel V.35	D	D	D

6-channel V.36	D	D	D
6-channel EIA530/RS449 card	D	D	D
2-channel G. SHDSL (2 pairs) with line power	D	D	D
4-channel G. SHDSL (1 pair) with line power	D	D	D
24-channel FXS	√	√	√
24-channel FXO	√	√	√
Transfer Trip card (TTA)	√	√	√

Note: √ = Supported * = Future Option # = CHAK
 x = Not supported D= Discontinued

Ordering Information

To specify options, choose from the list below:

Notes:

1. RoHS compliant units are identified by the letter **G** appearing immediately at the end of ordering code.
2. AM3440 chassis types:
 - AM3440-A:** 5U chassis with 128 Mb/s cross-connect capacity backplane.
 - AM3440-B:** 2.5U chassis with 56 Mb/s cross-connect capacity backplane.
 - AM3440-C:** 3U chassis with 72 Mb/s cross-connect capacity backplane.
 - AM3440-D:** 2U chassis with 72 Mb/s cross-connect capacity backplane. Support Mini Plug-in Modules only. Please refer to separate AM3440-D brochure.

Model	Description	Note
Main Unit		
Loop-AM3440-CHAJ- G	AM3440-A type Chassis. Wideband Main Unit without CPU, power and plug-in cards	19"/23" ear mount included. Loop-AM3440-CHAJ- G and
Loop-AM3440-CHCJ- G	AM3440-C type Chassis. Wideband Main Unit without CPU, power and plug-in cards	Loop-AM3440-CHCJ- G are applicable to use with 3E1/3T1 card for DS0-SNCP circuit level protection.
Loop-AM3440-CHAK- G	AM3440-A type Chassis. Wideband Main Unit without CPU, power and plug-in cards	19"/23" ear mount included. Loop-AM3440-CHAK- G is applicable to use with mini voice cards and with 3E1/T1 for DS0-SNCP circuit level protection.
Loop-AM3440-CHB- G	AM3440-B type Chassis. Wideband Main Unit without CPU, power and plug-in cards	19"/23" ear mount included. Doesn't support DS0-SNCP circuit level protection
CPU Module		
Loop-AM3440-CCA- mgmt-G	CPU card with management software	For mgmt option, please refer to the following table for detailed information.
Loop-AM3440-CCB- mgmt-G	CPU card with management software	For mgmt option, please refer to the following table for detailed information. Includes a 1.8 meter conversion cable (Loop-ACC-CAB-DB15M-180-1DB09F)

■ Where **mgmt** is used to select the following functions. Please replace **mgmt** with your selection, or leave it blank for nothing.

mgmt=	Description	Note
LCT	Loop-AM3440-LCT activation license	Used with Loop-LCT Graphical Configuration Software for management
iXC	Loop-AM3440-iXC activation license	Used with Loop-iXC3400 cross-connect mapping tool for management
[blank]	No configuration tool for management	

Mini Plug-in Module (Select 1 to 4 cards from list below)

Model	Description	Note
Loop-AM3440-E75-G	1-channel of E1 plug-in card w/ 75 ohm	
Loop-AM3440-E120-G	1-channel of E1 plug-in card w/ 120 ohm	
Loop-AM3440-T1-G	1-channel T1 plug-in card	
Loop-AM3440-M4E75-G	Mini Quad E1 plug-in card with 75 ohm	Includes a three meter conversion cable (Loop-ACC-CAB-DB25M-300-8BNCM)
Loop-AM3440-M4E120-G	Mini Quad E1 plug-in card with 120 ohm	Includes a three meter conversion cable (Loop-ACC-CAB-DB25M-300-4RJ48M)
Loop-AM3440-RT-G	2-LAN ports/32 WAN port Router/Bridge plug-in card	
Loop-AM3440-RTA-G	2-LAN ports/64 WAN port router/bridge plug-in card	
Loop-AM3440-FOM-opt-G	Fiber Optical plug-in card	For opt option, please refer to the table below for detail information
Loop-AM3440-TS-G	3-channel Terminal Server plug-in card	Includes a one meter conversion cable (Loop-ACC-CAB-DB44M-100-2DB25F-1DB09F-TS)
Loop-AM3440-1ODP	1 port OCU-DP Interface card	For AM3440-CHB, CHC and CHCJ only Only non-RoHS compliant model available Limited Quantity
Loop-AM3440-1X21-G	1-channel X.21 plug-in card	
Loop-AM3440-1RS232-G	1-channel RS232 plug-in card	
Loop-AM3440-1V35-G	1-channel V.35 plug-in card	
Loop-AM3440-1E530-G	1-channel EIA530 plug-in card	
Loop-AM3440-QEMA-wr-m-Tn-x-G	Jumper selectable: 2/4 WIRE; A/B side Quad E&M voice card, complied with IEEE1613 standard.	For AM3440-CHAK, CHB, CHC and CHCJ only For wr, m, n and x option, please refer to the table below for detail information
Loop-AM3440-QMAGA-G	Quad channel magneto plug-in module with ring across L1&GND and L1&L2. Software programmable.	For AM3440-CHAK, CHB, CHC and CHCJ only. Please use with 100-240Vac or ±48Vdc powered main units.
Loop-AM3440-QFXO-x-G	Quad FXO voice plug-in card	For AM3440-CHAK, CHB, CHC and CHCJ only
Loop-AM3440-QFXO-M-x-G	Quad FXO with MP 16 KHz voice plug-in card	
Loop-AM3440-QFXO-M12-x-G	Quad FXO with MP 12 KHz voice plug-in card	GS = Ground Start
Loop-AM3440-QFXO-GS-x-G	Quad FXO with GS plug-in card	MP = Metering Pulse Receive 12/16 KHz
Loop-AM3440-QFXO-GM-x-G	Quad FXO with GS and MP 16 KHz voice plug-in card	For x option, please refer to the table below for detail information QFXO-GM includes all QFXO card functions
Loop-AM3440-QFXSA-x-pt-n-G	Quad FXSA voice card	For AM3440-CHAK, CHB, CHC and CHCJ only
Loop-AM3440-QFXSA-M-x-pt-n-G	Quad FXSA with MP 16KHz voice card	Jumper setting options: Loop Start, Ground Start (GS), Metering Pulse Transmit 12/16 KHz (MP)
Loop-AM3440-QFXSA-M12-x-pt-n-G	Quad FXSA with MP 12KHz voice card	For x, pt, & n options, please refer to the table below for detail information
Loop-AM3440-QFXSA-GS-x-p	Quad FXSA with GS	Work with controller firmware v8.38.01 or up for software programmable signaling

Model	Description	Note
t-n-G		bits.
Loop-AM3440-QFXSA-GM-x-p t-n-G	Quad FXSA with GS and MP 16KHz voice card	
Loop-AM3440-PLM(A)	Phone Line Monitor (A) Line plug-in card with phone line monitor	Need to order in pair
Loop-AM3440-PLM(B)	Phone Line Monitor (B) Monitor plug-in card	For AM3440-CHAK, CHB, CHC and CHCJ only
Loop-AM3440-ECA-G	Echo canceller plug-in card	Only non-RoHS compliant models available
Loop-AM3440-ABRA-G	Analog voice bridging plug-in card	For AM3440-CHAK, CHB, CHC and CHCJ only
Loop-AM3440-M1C37-LSFOM -G	1- channel C37.94 plug-in mini card	For AM3440-CHAK, CHB, CHC and CHCJ only For LSFOM option, please refer to the table below for detail information

Single Slot Plug-in Module

Model	Description	Note
Loop-AM3440-8UDTEA-opm- G	8-port universal data interface card that supports RS232/RS422/RS485 full-duplex DCE interface which is software configurable Available option mode: Terminal Server, Omnibus, and Clock Pass Through	For opm option, please refer to the table below for detail information.
Loop-AM3440-3E1-cc-G	3-channel E1 plug-in card with DS0 (64K bps) SNCP circuit level protection Note: DS0 SNCP circuit level protection only support E1 frame mode	Order with Loop-AM3440-CHAJ-G or Loop-AM3440-CHCJ-G ONLY For cc option, please refer to the table below for detail information For controller hardware version J and software version 8.02.01 or newer versions.
Loop-AM3440-3T1-G	3-channel T1 Interface	Order with Loop-AM3440-CHAJ or Loop-AM3440-CHCJ ONLY For controller hardware version J and software version 8.38.01 or newer versions.
Loop-AM3440-TDMoEA-PPM- G	TDMoEA card with 2 GbE combo interfaces and 2 Ethernet interfaces (10/100/1000BaseT) plug-in module Support G.823 Traffic SFP optical module is not included.	For AM3440-CHA, AM3440-CHB, and AM3440-CHC only. Please order separately for SFP optical modules from SFP optical brochure.
Loop-AM3440-4E1-cc-G	4-channel E1 plug-in card	For cc option, please refer to the table below for detail information
Loop-AM3440-4T1-G	4-channel T1 plug-in card	
Loop-AM3440-2GH-G	2-channel G.SHDSL plug-in card (2 pair)	
Loop-AM3440-4GH-G	4-channel G.SHDSL plug-in card (1 pair)	
Loop-AM3440-8CD-G	8-channel G.703 plug-in card at 64 Kbps data rate	
Loop-AM3440-8DC-G	8-channel dry contact type A plug-in card with maximum voltage 100 Vdc or 250 Vac	
Loop-AM3440-8DCB-G	8-channel dry contact type B plug-in card with maximum voltage 220 Vdc or 250 Vac	
Loop-AM3440-1C37- LSFOM -G	1- channel C37.94 plug-in card	For LSFOM option, please refer to the table below for detail information









Model	Description	Note
Loop-AM3440-4C37- LSFOM -G	4- channel C37.94 plug-in card	
Loop-AM3440-ODP	8-channel OCU-DP plug-in card	For AM3440-CHA only. Only non-RoHS compliant model available Limited Quantity
Loop-AM3440-8RS232-RJ- G	8-port RS232 plug-in card with X.50 subrate multiplexing scheme and X.54 encoding, with 8 RJ48 connectors for 8 RS232 Async ports	
Loop-AM3440-8RS232-DB- G	8-port RS232 plug-in card with X.50 subrate multiplexing scheme and X.54 encoding, with 2 RJ48 connectors and 2 DB44 connectors for Async and Sync ports	Two conversion cables are included (DB44 connector to two DB25 and one DB9 connector; (Loop-ACC-CAB-DB44M-100-2DB25F-1DB09F-DB).
Loop-AM3440-6RS232A-RJ- G	6-port RS232 card with V.110 encoding, with 6 RJ48 connectors for 6 RS232 Async ports	This card can be used in AM3440-A/B/C only.
Loop-AM3440-6RS232A-DB- G	6-port RS232 card with V.110 encoding, with 2 DB44 connectors for Async and Sync ports	This card can be used in AM3440-A/B/C only. Two conversion cables are included, DB44 connector to two DB25 and one DB9 connectors. (Loop-ACC-CAB-DB44M-100-2DB25F-1DB09F-DB)
Loop-AM3440-8DBRA-RJ- G	8-channel data bridge plug-in card, with 8 RJ48 connectors for 8 data bridge Async ports	
Loop-AM3440-8DBRA-DB- G	8-channel data bridge plug-in card, with 2 RJ48 connectors and 2DB44 connectors for 8 data bridge Async ports	Two conversion cables are included (DB44 connector to two DB25 and one DB9 connector; (Loop-ACC-CAB-DB44M-100-2DB25F-1DB09F-DB).
Loop-AM3440-1FOMA- opt-G	1FOMA Fiber Optical Interface with 1x9 optical port	For opt option, please refer to the table below for detail information For controller hardware version F and software version V8.15.01 or newer versions.
Loop-AM3440-RTB- G	8-LAN ports/64 WAN ports router/bridge plug-in card	For controller hardware version F and software version 6.05.02 or newer versions.
Loop-AM3440-CONF- pt-G	Conference plug-in card with two RS232 data ports, two FXS ports and two E&M ports	For controller hardware version F and software version 7.05.01 or newer versions.
Loop-AM3440-8EM- x-G	8-channel 2W/4W E&M plug-in card with 8 RJ45	Please use with 100-240Vac or -48Vdc powered main units for 8EM card. For x option, please refer to the table below for detail information
Loop-AM3440-8EMA- x-pt-G	8-channel 2W/4W E&MA plug-in card with 8 RJ45	pt = power type For x and pt options, please refer to the table below for detail information
Loop-AM3440-12FXS- sn-pt-G	12-channel FXS plug-in card with 600/900 Impedance, Battery Reverse, Loop Start and PLAR. Without Ground Start and Metering Pulse. Used with 12 RJ11.	12FXS-GMP includes all FXS card functions Please use with 100-240Vac or -48Vdc powered main units.
Loop-AM3440-12FXS-P- sn-pt-G	12-channel FXS plug-in card with 600/900 Impedance, Battery Reverse, Loop Start, PLAR and [PLAR bit programmable]. Without Ground Start and Metering Pulse. Used with 12 RJ11.	For sn option, please refer to the table below for detail information pt = power type.

Model	Description	Note
Loop-AM3440-12FXS-M- sn-pt-G	12-channel FXS plug-in card with 600/900 Impedance, Battery Reverse, Loop Start, PLAR and [Metering Pulse]. Used with 12 RJ11.	For pt option, please refer to the table below for detail information
Loop-AM3440-12FXS-MPP- sn-pt-G	12-channel FXS plug-in card with 600/900 Impedance, Battery Reverse, Loop Start, PLAR, [PLAR bit programmable] and [Metering Pulse]. Used with 12 RJ11.	The IEEE1613 standard applies to AM3440-A/C only
Loop-AM3440-12FXS-GS- sn-pt-G	12-channel FXS plug-in card with 600/900 Impedance, Battery Reverse, Loop Start, PLAR and [Ground Start]. Used with 12 RJ11.	12FXS-GMP includes all FXS card functions Please use with 100-240Vac or -48Vdc powered main units.
Loop-AM3440-12FXS-GM- sn-pt-G	12-channel FXS plug-in card with 600/900 Impedance, Battery Reverse, Loop Start, PLAR, [Ground Start] and [Metering Pulse]. Used with 12 RJ11.	For sn option, please refer to the table below for detail information pt = power type.
Loop-AM3440-12FXS-GMP- sn-pt-G	12-channel FXS plug-in card with 600/900 Impedance, Battery Reverse, Loop Start, PLAR, [PLAR bit programmable], [Ground Start] and [Metering Pulse]. Used with 12 RJ11.	For pt option, please refer to the table below for detail information The IEEE1613 standard applies to AM3440-A/C only
Loop-AM3440-12FXSA- sn-pt-G	12-channel FXS plug-in card with 600/900 Impedance, Battery Reverse, Loop Start and PLAR. Without Ground Start and Metering Pulse. Used with 12 RJ11.	12FXSA-GMP includes all FXS card functions Please use with 100-240Vac or \pm 48Vdc powered main units.
Loop-AM3440-12FXSA-P- sn-pt-G	12-channel FXS plug-in card with 600/900 Impedance, Battery Reverse, Loop Start, PLAR and [PLAR bit programmable]. Without Ground Start and Metering Pulse. Used with 12 RJ11.	For sn option, please refer to the table below for detail information
Loop-AM3440-12FXSA-M- sn-pt-G	12-channel FXS plug-in card with 600/900 Impedance, Battery Reverse, Loop Start, PLAR and [Metering Pulse]. Used with 12 RJ11.	pt = power type. For pt option, please refer to the table below for detail information
Loop-AM3440-12FXSA-MPP- sn-pt-G	12-channel FXS plug-in card with 600/900 Impedance, Battery Reverse, Loop Start, PLAR, [PLAR bit programmable] and [Metering Pulse]. Used with 12 RJ11.	The IEEE1613 standard applies to AM3440-A/C only
Loop-AM3440-12FXSA-GS- sn-pt-G	12-channel FXS plug-in card with 600/900 Impedance, Battery Reverse, Loop Start, PLAR and [Ground Start]. Used with 12 RJ11.	12FXSA-GMP includes all FXS card functions Please use with 100-240Vac or \pm 48Vdc powered main units.
Loop-AM3440-12FXSA-GM- sn-pt-G	12-channel FXS plug-in card with 600/900 Impedance, Battery Reverse, Loop Start, PLAR, [Ground Start] and [Metering Pulse]. Used with 12 RJ11.	For sn option, please refer to the table below for detail information
Loop-AM3440-12FXSA-GMP- sn-pt-G	12-channel FXS plug-in card with 600/900 Impedance, Battery Reverse, Loop Start, PLAR, [PLAR bit programmable], [Ground Start] and [Metering Pulse]. Used with 12 RJ11.	pt = power type. For pt option, please refer to the table below for detail information The IEEE1613 standard applies to AM3440-A/C only
Loop-AM3440-12FXO- G	12-channel FXO plug-in card with 600/900 Impedance, Battery Reverse and Loop Start. Without Ground Start and Metering	12FXO-GM includes all FXO card functions

Model	Description	Note
Loop-AM3440-12FXO-M-G	Pulse. Used with 12 RJ11. 12-channel FXO plug-in card with 600/900 Impedance, Battery Reverse, Loop Start and [Metering Pulse]. Used with 12 RJ11.	Please use with 100-240Vac or -48Vdc powered main units.
Loop-AM3440-12FXO-GS-G	12-channel FXO plug-in card with 600/900 Impedance, Battery Reverse, Loop Start and [Ground Start]. Used with 12 RJ11.	
Loop-AM3440-12FXO-GM-G	12-channel FXO plug-in card with 600/900 Impedance, Battery Reverse, Loop Start, [Ground Start] and [Metering Pulse]. Used with 12 RJ11.	
Loop-AM3440-12FXOA-G	12-channel FXOA plug-in card with 600/900 Impedance, Battery Reverse and Loop Start. Without Ground Start and Metering Pulse. Used with 12 RJ11.	12FXOA-GM includes all FXO card functions Please use with 100-240Vac or ±48Vdc powered main units.
Loop-AM3440-12FXOA-M-G	12-channel FXOA plug-in card with 600/900 Impedance, Battery Reverse, Loop Start and [Metering Pulse]. Used with 12 RJ11.	Please use with 100-240Vac or ±48Vdc powered main units.
Loop-AM3440-12FXOA-GS-G	12-channel FXOA plug-in card with 600/900 Impedance, Battery Reverse, Loop Start and [Ground Start]. Used with 12 RJ11.	
Loop-AM3440-12FXOA-GM-G	12-channel FXOA plug-in card with 600/900 Impedance, Battery Reverse, Loop Start, [Ground Start] and [Metering Pulse]. Used with 12 RJ11.	
Loop-AM3440-12MAGA-G*	12-channel Magneto plug-in module with ring across L1&GND and L1&L2. Software programmable.	Please use with 100-240Vac or ±48Vdc powered main units. * Future Option
Loop-AM3440-6UDTEA-G	6-port universal data interface card that supports three software configurable modes: Port 1 to 4: two DB44 connectors Port 5 to 6: two RJ48 connectors Mode 1: Port 1 to 4: RS232/RS422/X.21, Async/Sync 64kbps and subrate with V.110 encoding Port 5 to 6: RS232 for ASYNC only Mode 2: Port 1 to 4: X.21/RS422 SYNC N*64k (N=1~32) Port 5 to 6: Disabled Mode 3: Port 1 to 3: X.21/RS422 SYNC N*64k, (N=1~32). Port 4: X.21/RS422 SYNC, N*64k, (N=1~20). Port 5 to 6: RS232 N*64k (N=1~6) oversampling for ASYNC data.	No conversion cable is included. Please order conversion cable separately from below table. Three conversion cable types are available: - Loop-ACC-CAB-DB44M-100-2DB25F-VB - Loop-ACC-CAB-DB44M-100-2DB15F-VB - Loop-ACC-CAB-DB44M-100-1DB15F-1DB25F-VB
Loop-AM3440-6CDA-cdm-G	6-channel G.703 Interface at 64 Kbps data rate. Per port configurable for Co-directional or Contra-directional interfaces.	For cdm option, please refer to the table below for detail information.

Dual Slot Plug-in Module

Model	Description	Note
Loop-AM3440-2GHL	2-channel G.SHDSL plug-in card with line power source (140 Vdc, 110mA), (2 pair)	For AM3440-A only Factory installed option available with -48 Vdc, -125Vdc powered chassis only.
Loop-AM3440-4GHL	4-channel G.SHDSL plug-in card with line power source (190 Vdc, 60mA), (1 pair)	With line power, takes 2 DTE slots per card. Fan tray required. Only non-RoHS compliant model available
Loop-AM3440-24FXS- sn-pt-G	24-channel FXS plug-in card with 600/900 Impedance, Battery Reverse, Loop Start and PLAR. Without Ground Start and Metering Pulse	24FXS-GMP includes all FXS card functions. Pt= power type
Loop-AM3440-24FXS-P- sn-pt-G	24-channel FXS plug-in card with 600/900 Impedance, Battery Reverse, Loop Start, PLAR and [PLAR bit programmable]. Without Ground Start and Metering Pulse	For sn option, please refer to the table below for detail information For pt option, please refer to the table below for detail information
Loop-AM3440-24FXS-M- sn-pt-G	24-channel FXS plug-in card with 600/900 Impedance, Battery Reverse, Loop Start, PLAR and [Metering Pulse].	The IEEE1613 standard applies to AM3440-A/C
Loop-AM3440-24FXS-MPP- sn-pt-G	24-channel FXS plug-in card with 600/900 Impedance, Battery Reverse, Loop Start, PLAR, [PLAR bit programmable] and [Metering Pulse].	24FXS-GMP includes all FXS card functions. Pt= power type
Loop-AM3440-24FXS-GS- sn-pt-G	24-channel FXS plug-in card with 600/900 Impedance, Battery Reverse, Loop Start, PLAR and [Ground Start].	For sn option, please refer to the table below for detail information
Loop-AM3440-24FXS-GM- sn-pt-G	24-channel FXS plug-in card e with 600/900 Impedance, Battery Reverse, Loop Start, PLAR, [Ground Start] and [Metering Pulse].	For pt option, please refer to the table below for detail information The IEEE1613 standard applies to AM3440-CHA/CHC
Loop-AM3440-24FXS-GMP- sn-pt-G	24-channel FXS plug-in card with 600/900 Impedance, Battery Reverse, Loop Start, PLAR, [PLAR bit programmable], [Ground Start] and [Metering Pulse].	
Loop-AM3440-24FXO- G	24-channel FXO plug-in card with 600/900 Impedance, Battery Reverse and Loop Start. Without Ground Start and [Metering Pulse].	24FXO-GM includes all FXO card functions.
Loop-AM3440-24FXO-M- G	24-channel FXO plug-in card with 600/900 Impedance, Battery Reverse, Loop Start and [Metering Pulse].	
Loop-AM3440-24FXO-GS- G	24-channel FXO plug-in card with 600/900 Impedance, Battery Reverse, Loop Start and [Ground Start].	
Loop-AM3440-24FXO-GM- G	24-channel FXO plug-in card with 600/900 Impedance, Battery Reverse, Loop Start, [Ground Start] and [Metering Pulse].	
Loop-AM3440-TTA- pwr-G	Dual slot transfer trip plug-in module for AM3440-A/B/C. Four ports for DTT input	Used in Loop-AM3440-A/B/C Chassis

Model	Description	Note
	and output.	For pwr option, please refer to the table below for detail information.
Accessories		
Power Module		
Loop-AM3440-SD- G	Single -48 Vdc (-36 to -75 Vdc) Power Module (100W) for AM3440-A only	For AM3440-CHA only For shared redundancy, order 2 single DC If the user orders 100W power module, the maximum number of cards allowed in slot 1 to 12 is: <ul style="list-style-type: none"> • Four 12-channel FXS • Nine 12-channel Magneto • Eleven 8-channel 2W/4W E&M • Six 8-channel OCU-DP • Two 24-channel FXS
Loop-AM3440-SD125- G	Single -125 Vdc (-40 to -150 Vdc) Power Module (100W) for AM3440-A only	There are no limitations for other plug-in cards in slot 1 to 12. There are no limitations for any plug-in cards in slot A to D. For power consumption details, please refer to AM3440-A User's Manual.
Loop-AM3440-SDA- G	Single -24Vdc/-48Vdc (-18 to -75 Vdc) power module (150W) for AM3440-A only	For AM3440-CHA only
Loop-AM3440-SDB- G	Single -48 Vdc (-36 to -75 Vdc) Power Module (100W) for AM3440-B/C	For AM3440-CHB/CHC/CHCJ For shared redundancy, order 2 single DC.
Loop-AM3440-SAB- G	Single AC plug-in power supply (100 to 240 Vac, 50/60 Hz) for AM3440-B/C	For AC, no redundancy Choose an appropriate power cord
Mounting Ear		
19"/23" ear mounts	A pair of 19"/23" ear mounts is supplied as part of standard package.	For other sizes, please contact your nearest Loop sales representative.
User's Manual		
Loop-AM3440-UM	User's Manual (optional, paper copy). A CD version of the manual is already included as standard equipment.	For AM3440-A only
Loop-AM3440-UMB	User's Manual (optional, paper copy). A CD version of the manual is already included as standard equipment.	For AM3440-B only
Loop-AM3440-UMC	User's Manual (optional, paper copy). A CD version of the manual is already included as standard equipment.	For AM3440-C only
Power Cord (All power cord are RoHS compliant)		
Loop-ACC-PC-USA	AC power cord for Taiwan/America	
Loop-ACC-PC-EU	AC power cord for Europe	
Loop-ACC-PC-UK	AC power cord for UK	
Loop-ACC-PC-AUS	AC power cord for Australia	
Loop-ACC-PC-CH	AC power cord for China	
Power Adaptor (All power adaptor are RoHS compliant)		
Loop-ACC-APA-240- G	240 Watt, AC (3.6A, auto sensing) to DC (+48 Vdc, 5A) adaptor for USA	
Loop-ACC-APE-240- G	240 Watt, AC (3.6A, auto sensing) to DC (+48 Vdc, 5A) adaptor for Europe	
Loop-ACC-APU-240- G	240 Watt, AC (3.6A, auto sensing) to DC (+48 Vdc, 5A) adaptor for UK	
Fan Tray		
Loop-AM3440-FAN- G	Fan tray	For AM3440-A only

Model	Description	Note
		Power supplied from rear of chassis. If total power consumption of device and cards is more than 60 Watts, an additional fan tray is required. For power consumption and fan tray plan, please refer to AM3440-A User's Manual.
Air Flow Guide Rack & Cable Management		
Loop-AM3440-CMA-G	Cable Management for AM3440, 1U (44mm) with 10cm ring	For AM3440-CHA, CHB, CHC, CHCJ, CHD
External LCD		
Loop-AM3440-LCDB-G	External LCD and Keypad. Works with a CCB CPU Card.	Only cover selected plug-in cards, contact your nearest Loop sales representative for details.
FXO Box		
Loop-AM3440-FXO BOX	Support FXO Interface Battery Feed	Non-RoHS compliant
Conversion Cables (All conversion cables are RoHS compliant)		
Model	Description	Note
Loop-ACC-CAB-DB25M-100-8 BNCM	DB25/Male to eight BNC/Male cable; Length: 100 cm	Used in Loop-AM3440-M4E75-G plug-in card
Loop-ACC-CAB-DB25M-100-8 BNCF	DB25/Male to eight BNC/Female cable; Length: 100 cm	Used in Loop-AM3440-M4E75-G plug-in card
Loop-ACC-CAB-DB25M-300-8 BNCM	DB25/Male to eight BNC/Male cable; Length: 300 cm	Used in Loop-AM3440-M4E75-G plug-in card
Loop-ACC-CAB-DB25M-300-8 BNCF	DB25/Male to eight BNC/Female cable; Length: 300 cm	Used in Loop-AM3440-M4E75-G plug-in card
Loop-ACC-CAB-DB25M-100-4 RJ48M	DB25/Male to four RJ48C/Male cable; Length: 100 cm	Used in Loop-AM3440-M4E120-G plug-in card
Loop-ACC-CAB-DB25M-300-4 RJ48M	DB25/Male to four RJ48C/Male cable; Length: 300 cm	Used in Loop-AM3440-M4E120-G plug-in card
Loop-ACC-CAB-DB44M-100-2 DB25F-1DB09F-DB	DSUB-44 pin/Male to two DSUB-25 pin/Female- one DSBU-9 pin/Female (8P8C) plug, Length:100cm	Used in Loop-AM3440-8RS232-DB-G, Loop-AM3440-8DBRA-DB-G, and Loop-AM3440-6RS232A-DB-G plug-in card
Loop-ACC-CAB-DB44M-100-2 DB25F-1DB09F-TS	DSUB-44 pin/Male to two DSUB-25 pin/Female- one DSBU-9 pin/Female (8P8C) plug, Length:100cm	Used in Loop-AM3440-TS-G plug-in card
Loop-ACC-CAB-DB25M-30-1M34F	DSUB-25pin/Male to M34/Female V.35 Conversion cable Length: 30 cm	Used in Loop-AM3440-1V35-G plug-in card
Loop-ACC-CAB-DB44M-100-2DB25F-VB	DSUB-44 pin/Male to two DSUB-25 pin/Female plug, Length:100cm	Used in Loop-AM3440-6UDTEA -G plug-in card.
Loop-ACC-CAB-DB44M-100-2DB15F-VB	DSUB-44 pin/Male to two DSUB-15 pin/Female plug, Length:100cm	Used in Loop-AM3440-6UDTEA- G and Loop-AM3440-6UDTEA- G plug-in card.
Loop-ACC-CAB-DB44M-100-1DB15F-1DB25F-VB	DSUB-44 pin/Male to one DSUB-15 pin/Female plug + one DSUB-25 pin/Female plug, Length:100cm	Used in Loop-AM3440-6UDTEA -G plug-in card.
Loop-ACC-CAB-1SCM-200-1L CF	One SC/Male to one LC/Female fiber optic adapter cable. Length: 200 cm	Used with Loop-AM3440-4C37-T-G and Loop-AM3440-1C37-T-G
Y-Box (All Y-Box are RoHS compliant)		
Loop-VV-B-G	1 for 1 protection Y-Box with BNC connectors (4-E1)	Used with 4E1
Loop-VV-R-G	1 for 1 protection Y-Box with RJ48C connectors (16-E1)	Used with 4E1
Loop-VV-T-G	1 for 1 protection Y-Box with RJ48C connectors (16-T1)	Used with 4T1
Blank Panels(All blank panels are RoHS compliant)		
30.000333.A00-G	Blank Panel for Power Supply Slot (flat)	For AM3440-A only
30.001257.A00-G	Blank Panel for Power Supply Slot (flat)	For use in AM3440-B/C

Model	Description	Note
30.000349.A00-G	Blank Panel for Controller Slot (flat)	For use in AM3440-A/B/C chassis
30.000335.A00-G	Blank Panel for mini Slot A-D (flat)	For use in AM3440-A/B/C chassis
30.000331.A00-G	Blank Panel for Slot 1-12 (flat)	For use in AM3440-A/B/C chassis
30.001028.A00-G	Blank Panel for Power Slot (u-shape)	For AM3440-A only
30.001029.A00-G	Blank Panel for Controller (u-shape)	For use in AM3440-A/B/C chassis
30.001030.A00-G	Blank Panel for mini Slot A-D (u-shape)	For use in AM3440-A/B/C chassis
30.001027.A00-G	Blank Panel for Slot 1-12 (u-shape)	For use in AM3440-A/B/C chassis

SFP Optical Modules

Please place your order using the 5-digit alphanumeric codes listed in the separate SFP Optical Module Brochure.

Feature Activation License

Loop-AM3440-ERING	Feature Activation License for AM3440 CPU card to support framed E1 PDH-Ring function	Used with 4E1, M4E75, M4E120 and FOM
Loop-AM3440-TRING	Feature Activation License for AM3440 CPU card to support framed T1 PDH-Ring function	Used with 4T1
Loop-AM3440-LCT	Feature Activation License for AM3440 CPU card to support LCT Graphical Configuration Software	Used with Loop-LCT Software
Loop-AM3440-iXC	Feature Activation License for AM3440 CPU card to support iXC3440 Craft GUI Mapping Tool	Used with Loop-iXC3440 Software

Loop-iXC3440 software covers most of AM3440 plug-in cards. Below is the list of cards currently supported by Loop-iXC3440.

Mini Plug-in Module	Description	Note
E1	1-channel E1 plug-in card	
T1	1-channel T1 plug-in card	
MQE1	Mini Quad E1 plug-in card	
RT	2-LAN ports/32 WAN port Router/Bridge plug-in card	
RTA	2-LAN ports/64 WAN port Router/Bridge plug-in card	
FOM	Mini Fiber Optical plug-in card	
TS	3-channel Terminal Server plug-in card	
Q2EM	Quad 2 wire E&M voice plug-in card	
Q4EM	Quad 4 wire E&M voice plug-in card	
QFXO	Quad FXO voice plug-in card	
1X21	1-channel X.21 plug-in card	
1RS232	1-channel RS232 plug-in card	
1V35	1-channel V.35 plug-in card	
1E530	1-channel EIA530 plug-in card	
1OCUDP	1-channel OCU-DP plug-in card	
ECA	Echo Cancellation plug-in card	
ABRA	Analog Bridge plug-in card	
M1C37	Mini 1-channel C37.94 plug-in card	

Single Slot Plug-in Module	Description	Note
8UDTEA	8-port universal data interface plug-in card	
3E1	3-channel E1 plug-in card	
TDMoE	TDMoE plug-in module	
TDMoEA*	TDMoEA plug-in module	
QE1	4-channel E1 plug-in card	
QT1	4-channel T1 plug-in card	
2GH	2-channel G.SHDSL plug-in card	
4GH	4-channel G.SHDSL plug-in card	
8CD	8-channel G.703 plug-in card	
8DC	8-channel dry contact plug-in card	

Single Slot Plug-in Module	Description	Note
1C37	1-channel C37.94 plug-in card	
4C37	4-channel C37.94 plug-in card	
OCUDP	8-channel OCU-DP plug-in card	
1FOM	Fiber Optical plug-in card	
8RS232	8-port RS232 with X.50 sub-rate plug-in card	
6RS232A	6-port RS232 with V.110 encoding plug-in card	
8DBRA	8-channel data bridge plug-in card	
RTB	8-LAN ports/64 WAN ports router/bridge plug-in card	
CONF	Conference plug-in card	
M4TE	Mini Quad T1/E1 plug-in card	
TTA	Transfer Trip Card	
8EM	8-channel 2W/4W E&M plug-in card	
12FXS	12-channel FXS plug-in card	
12FXSA	12-channel FXSA plug-in card	
12FXO	12-channel FXO plug-in card	
12FXOA	12-channel FXOA plug-in card	
12MAG	12-channel magneto plug-in card	
12MAG-A	12-channel magneto plug-in card	
12MAGA*	12-channel magneto plug-in card	

Dual Slot Plug-in Module	Description	Note
6V35A	6-channel V.35 plug-in card	

For 4E1 and 3E1 cards

■ Where **cc** is used to select connector:

cc =	Description	Note
RJ	RJ48C connector	
BNC	BNC connector	

For FOM and 1FOMA card

■ Where **opt** is used to select optical module type (All optical modules are RoHS compliant):

opt =	Description	Note
SAA	Single optical module with dual uni-directional fiber, 1310 nm, SC optical connector, 30 km - S1.1	Use dual fiber Units delivered ITU-T G.957 application code
SBB	Single optical module with dual uni-directional fiber, 1310 nm, SC optical connector, 50 km - L1.1	
SCC	Single optical module with dual uni-directional fiber, 1310 nm, FC optical connector, 30 km - S1.1	
SDD	Single optical module with dual uni-directional fiber, 1550 nm, SC optical connector, 20 km - S1.2	
SEE	Single optical module with dual uni-directional fiber, 1550 nm, SC optical connector, 100 km - L1.2	
SSM	Single optical module with single bi-directional fiber (master), 1310 nm transmit and 1550 receive, SC optical connector, 30 km - S1.1/ S1.2	1310 nm from master to slave Order SSM to use with SSS Use 1 fiber ITU-T G.957 application code
SSS	Single optical module with single bi-directional fiber (slave), 1310 nm receive and 1550 transmit, SC optical connector, 30 km - S1.1/ S1.2	1550 nm from slave to master Order SSS to use with SSM Use 1 fiber ITU-T G.957 application code

Note: For other special optical modules, please contact your nearest Loop sales representative.

For 8UDTEA card

■ Where **opm** is to select 8UDTEA functions:

opm	Description
DCE	Support RS232/RS422/RS485 DCE interface which is software configurable
TS	Support Terminal Server Function and DCE
OMNI	Support Omnibus Function and DCE
CPT	Support Clock Pass Through function and DCE
TSOMNI	Support Terminal Server, Omnibus Function and DCE
HD	Support RS232/RS422/RS485 DCE interface with Full- and Half-Duplex modes
TSHD	Support Terminal Server Function and DCE with Full- and Half-Duplex modes
OMNIHD	Support Omnibus Function and DCE with Full- and Half-Duplex modes
TSOMNIHD	Support Terminal Server, Omnibus Function and DCE with Full- and Half-Duplex modes
FULL	Support Terminal Server, Omnibus Function, Clock Pass Through and DCE with Full- and Half-Duplex modes
Feature Activation License	Description
Loop-AM3440-8UDTEA-UPGR-TS	Feature Activation License for AM3440 8UDTE card to support Terminal Server function
Loop-AM3440-8UDTEA-UPGR- OMNI	Feature Activation License for AM3440 8UDTE card to support Omnibus function
Loop-AM3440-8UDTEA-UPGR-CPT	Feature Activation License for AM3440 8UDTE card to support Clock Pass Through function
Loop-AM3440-8UDTEA-UPGR-TSOMNI	Feature Activation License for AM3440 8UDTE card to support Terminal Server function and Omnibus function
Loop-AM3440-8UDTEA-UPGR-HD	Feature Activation License for AM3440 8UDTE card to support Full- and Half-Duplex modes
Loop-AM3440-8UDTEA-UPGR-TSHD	Feature Activation License for AM3440 8UDTE card to support Terminal Server function with Full- and Half-Duplex modes
Loop-AM3440-8UDTEA-UPGR-OMNIHD	Feature Activation License for AM3440 8UDTE card to support Omnibus function with Full- and Half-Duplex modes
Loop-AM3440-8UDTEA-UPGR-TSOMNIHD	Feature Activation License for AM3440 8UDTE card to support Terminal Server function and Omnibus function with Full- and Half-Duplex modes
Loop-AM3440-8UDTEA-UPGR-FULL	Feature Activation License for AM3440 8UDTE card to support Terminal Server, Omnibus and Clock Pass Through functions with Full- and Half-Duplex modes

For Quad E&M A card:

■ Where **wr** is used to select wire type:

wr =	Description	Note
2w	2 wire	
4w	4 wire	

■ Where **m** is used to select QEM card signaling side (must select one):

m =	Description	Note
B	B (carrier side) connects to A side.	
A	A (exchange side) connects to B side. A side M lead to B side M lead, A side E lead to B side E lead.	

■ Where **n** is used to select QEM card signaling type (must select one):

n =	Description	Note
O	For voice transmission only.	Circuit Type doesn't matter.
1	Type I (Original) E&M Signaling Circuit	M lead provides discharge for the A side.
2	Type II Circuit. This design attempts to reduce ground noise by adding two leads: SB (Signal to Battery) and SG (Signal to Ground)	Reduced ground noise. Ground current is eliminated at the cost of two more wires per circuit.
3	Type III Circuit. The SG lead serves as a discharge for the M lead. Reduces delay caused by combination of (a) low current electronic detectors, and (b) long runs of the E and M leads.	Type III is rare because ground currents on the E return would cause noise
4	Type IV Circuit. Based on the Type 2 circuit. This E&M circuit provides symmetry.	

5	Type V Circuit. For applications where ground noise is not an issue. Based on the Type 2 circuit.	
---	---	--

For voice card (8-chanel E&M, 8EMA, QFXO, QEMA, and QFXSA):

■ Where x is used to select all of voice card signaling bits. If this option is not required, omit the x field in the ordering code.

	x =	Description	Note
8EM/8EMA	E	Follows ETSI signaling bits	Jumper selectable for all channels
	A	Follows ANSI signaling bits	
	R	Reverse for ON-HOOK and OFF-HOOK signaling bits exchange	
	AR	Follows ANSI signaling bits and reverse bit	
	S	Follows customer's special bit or function assignment	
	S4	Disable the function of the test button	
	S5	Forcing all ports to be OFF-HOOK when an alarm occurs	
	S6	Forcing all ports to be ON-HOOK when an alarm occurs	
QFXO	x =	Description	Note
	A	Follows ANSI signaling bits	
	E	Follows ETSI signaling bits	
	S	Follows customer's special bits assignment	
	T	Trunk condition OFF-HOOK	
	AT	Follows ANSI signaling bits w/ trunk condition OFF-HOOK	
QEMA	x =	Description	
	A	Follows ANSI signaling bits	Jumper selectable for all channels.
	E	Follows ETSI signaling bits	
S	Follows customer's special bits assignments		
QFXSA	x =	Description	Note
	A	Follows ANSI signaling bits	■ This option applies to controller version v8.36.XX and before.
	E	Follows ETSI signaling bits	
	S	Follows customer's special bits assignment	■ If this option is not required, omit the x field in the ordering code.

Note:

- For S (customer's special bit), please contact your nearest Loop sales representative.
- If x is not selected from table above, the default setting for signaling bits is ETSI and for trunk condition is ON-HOOK.

For Conference card:

■ Where pt is used to select the following functions:

pt=	Description	Note
24	For AM3440-A type chassis using SDA power module with ±24Vdc input power	
PWR	For AM3440-A with ±48Vdc (SD, SDA, or SD125) For AM3440-B/C with ±48Vdc (SDB) and AC (SAB) power modules	

For 8EMA card:

■ Where pt is used to select the following functions:

pt=	Description	Note
24	For AM3440-A type chassis using SDA power module with ±24Vdc input power	
PWR	For AM3440-A type chassis using SDA power module with ±48Vdc input power, or AM3440-A type chassis using SD125 power module with ±125Vdc input power or AM3440-B/C type chassis using SDB power module with ±48Vdc input power,	

	or AM3440-B/C type chassis using SAB power module with 100 to 240Vdc input power.	
PWRIE1613	For AM3440-A/C type chassis using SDA power module with ± 48 Vdc input power, compiled with IEEE1613 standard	

For 12/24-channel FXS card:

- Where **sn** is used to select special function. If this option is not required, omit the **sn** field in the ordering code.

sn =	Description	Note
sn = omit	FXS Loop Feed = ± 48 Vdc with 25 mA current limit; alarm tone enable; normal ring	
S1	FXS Loop Feed = ± 48 Vdc with 35 mA current limit	
S4	Remove alarm tone	
S5	Double ring tone transmit	

Note: For sn (special function), please contact your nearest Loop sales representative.

For 12/24-channel FXS card:

- Where **pt** is used to select the following functions.

pt=	Description	Note
24	For AM3440-A type chassis using SDA power module with ± 24 Vdc input power	
PWR	For AM3440-A with ± 48 Vdc (SD, SDA, or SD125) For AM3440-B/C with ± 48 Vdc (SDB) and AC (SAB) power modules	
PWRIE1613	For AM3440-A with ± 48 Vdc (SDA) power complied with IEEE1613 standard For AM3440-C with ± 48 Vdc (SDB) power complied with IEEE1613 standard	

For QFXSA card:

- Where **pt** is used to select the following functions.

pt=	Description	Note
24	For AM3440-A type chassis using SDA power module with ± 24 Vdc input power	For AM3440-CHAK only.
PWR	For AM3440-A with ± 48 Vdc (SD, SDA, or SD125) For AM3440-B/C with ± 48 Vdc (SDB) and AC (SAB) power modules	
PWRIE1613	For AM3440-A with ± 48 Vdc (SDA) power complied with IEEE1613 standard For AM3440-C with ± 48 Vdc (SDB) power complied with IEEE1613 standard	
24IE1613	For AM3440-A with ± 24 Vdc (SDA) power complied with IEEE1613 standard.	

For C37.94 Card:

- Where **LSFOM** is to select **LS-Fiber Optical Module** option, please replace **LSFOM** with your selection.

LSFOM	Description										Note
	Mode		Data Rate		Wave Length		Distance		Connector		
Code	Code	Description	Code	Description	Code	Description	Code	Description	Code	Description	
ZHHTT	Z	Multi-mode	H	155 M	H	820nm	T	2km	T	ST connector	1 * 8 Separate transceiver & receiver
QHATT	Q	Multi-mode	H	155 M	A	850nm	T	2km	T	ST connector	1 * 9
NFB3T	N	Single mode	F	125 M	B	1310nm	3	30km	T	ST connector	
QFBTT	Q	Multi-mode	F	125 M	B	1310nm	T	2km	T	ST connector	

NHC2S	N	Single mode	H	155 M	C	1550nm	2	20km	S	SC connector	
T	Single mode, 1310nm, Tx_min -13dBm, Rx_max -30dBm, SC type connector. Works with Toshiba teleprotection device										Must use 3*DS0
S	Single mode,1310nm, Tx_min -14dBm, Rx_max -36dBm, ST type connector Works with SEL teleprotection device										Must use 8*DS0

For mini C37.94 Card:

■ Where **LSFOM** is to select **LS-Fiber Optical Module** option, please replace **LSFOM** with your selection.

LSFOM	Description										Note
	Mode		Data Rate		Wave Length		Distance		Connector		
Code	Code	Description	Code	Description	Code	Description	Code	Description	Code	Description	
ZHHTT	Z	Multi-mode	H	155 M	H	820nm	T	2km	T	ST connector	1 * 8 Separate transceiver & receiver
QHATT	Q	Multi-mode	H	155 M	A	850nm	T	2km	T	ST connector	1 * 9
NFB3T	N	Single mode	F	125 M	B	1310nm	3	30km	T	ST connector	
QFBTT	Q	Multi-mode	F	125 M	B	1310nm	T	2km	T	ST connector	
NHC2S	N	Single mode	H	155 M	C	1550nm	2	20km	S	SC connector	

For Transfer Trip (TTA) Card:

■ Where **pwr** is used to select the following functions.

pwr=	Description	Note
24	Complied with 24/48V voltage	*Future option
48	Complied with 48/125V voltage	
125	Complied with 125/250V voltage	*Future option

For 6CDA Card:

■ Where **cdm** is used for co-directional/contra-directional mode selection. Must select one from table below.

cdm=	Description	Note
cc	Supports G.703 Contra-directional controlling (DCE) and Co-directional interface configuration	
cs	Supports G.703 Contra-directional subordinate (DTE) and Co-directional interface configuration	
mixed	Supports G.703 Contra-directional controlling (DCE), Contra-directional subordinate (DTE) and Co-directional interface configuration	

For TDMoE/TDMoEA:

SFP Optical/Electrical Module Plug-in option, please go to SFP Optical Module Brochure for detail.

For Firmware Upgrade:**Firmware Upgrade**

Loop-AM3440-FWUPGRANF	Annual fee for per model firmware upgrade if it is out of the warranty period.	<ul style="list-style-type: none"> ■ It is only available for compatible Firmware and Hardware versions. ■ It is only available for the models shipped within 10 years.
-----------------------	--	---

For Firmware Conversion:**Firmware Conversion**

Loop-AM3440-card-FWCOVT	Firmware conversion for AM3440 plug-in cards to be compatible with O9550. The plug-in cards for AM3440 could be converted to work on the O9550 after firmware conversion. This will upgrade the firmware to the most current version for O9550 and provide an additional 12 months of support.	For available card types, please refer to the table below for detail information.
-------------------------	--	---

Note: Once the plug-in card is converted to work on the O9550, it will no longer work on the AM3440.

■ Where card is used to select card type:

card=	Description	Note
M4E	Mini quad E1 card	
4E1	Quad E1 card Available for software version 3.02.01 or newer versions.	
4T1	Quad T1 card Available for software version 3.02.01 or newer versions.	
RTA	RTA card Available for software version 2.05.01 or newer versions.	
RTB	RTB card Available for software version 1.04.01 or newer versions.	
3E1	3-port E1 card Available for CHJ only and software version 1.02.01 or newer versions.	
2GH	2-port G.SHDSL card Available for software version 1.08.01 or newer versions.	
4GH	4-port G.SHDSL card Available for hardware version G and software version 2.07.02 or newer versions.	
TDMoEA	TDMoEA card	
12/24FXS	12/24 FXS card Available for hardware version L and software version 3.01.01 or newer versions.	
12/24FXO	12/24 FXO card Available for hardware version G and software version 2.01.01 or newer versions.	
8E&M	8-port E&M card Available for software version 1.03.01 or newer versions.	
8RS232	8 RS232 card Available for software version 3.02.01 or newer versions.	
8DBRA	8 Data Bridge A card	
Conference	Conference card Available for hardware version C and software version 1.02.01 or newer versions.	
6V.35A	6-port V.35 card Available for hardware version E and software version 2.03.01 or newer versions.	

The list shown below is the discontinued chassis and plug in cards. For detail info, please contact your nearest Loop sales representative.

Model	Description	Note
Loop-AM3440-CH	32 Mb/s cross-connect capacity backplane t without CPU, power and plug-in cards	AM3440-CH type Chassis
Loop-AM3440-CHA	5U, Wideband Main Unit without CPU, power and plug-in cards,	AM3440-A type Chassis
Loop-AM3440-CHC	3U, Wideband Main Unit without CPU, power and plug-in cards,	AM3440-C type Chassis
Loop-AM3440-LCD	External LCD and Keypad	
Loop-AM3440-6U	6-channel IDSL plug-in card	
Loop-AM3440-10U	10-channel IDSL plug-in card	
Loop-AM3440-3H	3-channel MDSL plug-in card (2Mb for 3-channel)	
Loop-AM3440-3HA	3-channel MDSL plug-in card	AM3440-A/B/C only
Loop-AM3440-3HAL	3-channel 6Mbits MDSL plug-in module with line power source	AM3440-A only Factory installed option available with -48 Vdc powered chassis only.
Loop-AM3440-5RS232	5-channel RS232 plug-in card with X.50 substrate plug-in module	
Loop-AM3440-AFRE	E1 Frame Relay to ATM inter-working or Frame Relay to Frame Relay concentration plug-in card	
Loop-AM3440-AFRT	T1 Frame Relay to ATM inter-working or Frame Relay to Frame Relay concentration plug-in card	
Loop-AM3440-6V35A-G	6-channel V.35 plug-in card with DB25S connector via conversion cable to M34 (2M bits per channel)	
Loop-AM3440-12MAG-1G-x-G	12-channel Magneto plug-in module w/ L1, GND	12MAG-1G2 includes all function of MAG cards.
Loop-AM3440-12MAG-12-x-G	12-channel Magneto plug-in module w/ L1, L2	
Loop-AM3440-12MAG-1G2-x-G	12-channel Magneto plug-in module w/ L1, L2, and L1, GND	Please use with 100-240Vac or -48Vdc powered main units.
Loop-AM3440-12MAG-A-1G-x-G	12-channel Magneto ring-one-time plug-in module w/ L1, GND	
Loop-AM3440-12MAG-A-12-x-G	12-channel Magneto ring-one-time plug-in module w/ L1, L2	
Loop-AM3440-12MAG-A-1G2-x-G	12-channel Magneto ring-one-time plug-in module w/ L1, L2, and L1, GND	
Loop-AM3440-TDMoE-PPM-G	TDMoE card with 2 GbE combo interfaces and 2 Ethernet interfaces (10/100/1000BaseT) plug-in module Support G.823 Traffic	
Loop-AM3440-TDMoE-PPB-G	TDMoE card with 2 GbE combo interfaces and 2 Ethernet interfaces (10/100/1000BaseT) plug-in module Support G.823 Synchronization	

Ordering Examples

Example 1:

Loop-AM3440-CHAJ, Loop-AM3440-CCA-E, Loop-AM3440-SDA, Loop-AM3440-4E1-RJ, Loop-AM3440-8RS232 Loop-AM3440-FAN:

For AM3440-A type chassis with a CPU card (E1 external clock), a single -48 Vdc 150W power module, 4-channel E1 interface with RJ48C connectors, one 8RS232 plug-in module and fan tray.

Example 2:

Loop-AM3440-CHB, Loop-AM3440-CCA-E, Loop-AM3440-SDB, Loop-AM3440-M4E75, Loop-AM3440-8CD:

For AM3440-B type chassis with a CPU card (E1 external clock), a single -48 Vdc 100W power module, one Mini Quad E1 interface with 75 ohm and one 8-channel G.703 interface at 64 Kbps data rate.

Example 3:**Loop-AM3440-CHCJ, Loop-AM3440-CCA-E, Loop-AM3440-SDB, Loop-AM3440-M4E120, Loop-AM3440-2GH:**

For AM3440-C type chassis with a CPU card (E1 external clock), a single -48 Vdc 100W power module, one Mini Quad E1 interface with 120 ohm and one 2-channel G.SHDSL plug-in module (2 pair).

Loop-AM3440 Access DCS-MUX Product Specifications

Network Line Interface - T1

Line Rate	1.544 Mbps \pm 32ppm	Output Signal	DSX1w/0, -7.5, -15 dB LBO
Line Code	AMI or B8ZS	Framing	D4/ESF (selectable)
Input Signal	DSX-1 0 dB to -30 dB w/ALBO	Connector	RJ48C

Network Line Interface - E1

Line Rate	2.048 Mbps \pm 50 ppm	Framing	ITU G.704
Line Code	AMI or HDB3	Connector	BNC/RJ48C
Input Signal	ITU G.703	Electrical	75 ohm Coax/120 ohm twisted pair
Output Signal	ITU G.703	Jitter	ITU G.823

Network Line Interface - Mini 4E1

Line Rate	2.048 Mbps \pm 50 ppm	Framing	ITU G.704
Line Code	AMI or HDB3	Connector	DB25S
Input Signal	ITU G.703	Electrical	75 ohm Coax/120 ohm twisted pair
Output Signal	ITU G.703	Jitter	ITU G.823

Network Line Interface - 3E1

Line Rate	2.048 Mbps \pm 50 ppm	Framing	ITU G.704
Line Code	AMI or HDB3	Connector	BNC/RJ48C
Input Signal	ITU G.703	Electrical	75 ohm Coax/120 ohm twisted pair
Output Signal	ITU G.703	Jitter	ITU G.823
Function	Support DS0-SNCP circuit level protection		

Network Line Interface - 3T1

Line Rate	1.544 Mbps \pm 32 ppm	Framing	D4/ESF
Line Code	AMI/B8ZS	Output Signal	DSX-1 w/0, -7.5, -15dB LBO
Input Signal	DSX-1 0dB to -30dB w/ALBO	Connector	RJ48C
Jitter	AT&T TR 62411	Pulse Template	AT&T TR 62411
Data Rate	N * (64) Kbps (n = 1 to 24)	Surge Protection	FCC Part 68 Sub Part D

Network Line Interface - 4E1

Line Rate	2.048 Mbps \pm 50 ppm	Framing	ITU G.704
Line Code	AMI or HDB3	Connector	BNC/RJ48C
Input Signal	ITU G.703	Electrical	75 ohm Coax/120 ohm twisted pair
Output Signal	ITU G.703	Jitter	ITU G.823

Network Line Interface - 4T1

Line Rate	1.544 Mbps \pm 32 ppm	Output Signal	DSX1w/0, -7.5, -15 dB LBO
Line Code	AMI or B8ZS	Framing	D4/ESF (selectable)
Input Signal	DSX-1 0 dB to -30 dB w/ALBO	Connector	RJ48C

ATM Frame Relay Network Line Interface (Discontinued)

Supporting Network Interworking (FRF.5) and service interworking (FRF.8).

Network Interface:

- T1 Module: *T1 ATM UNI*
FR (n x 64 Kbps, n=1 to 24)
- E1 Module: *E1 ATM UNI*
FR (n x 64 Kbps, n= 1 to 31)

Up to 31 logical FR channels can be concentrated/ de-concentrated to FR or ATM.

Service Ports:

- T1/FT1 interface: n x 64 Kbps, n=1 to 24
- E1/FE1 interface: n x 64 Kbps, n= 1 to 31

Support HDLC to FR
 Support HDLC to ATM
 Supporting FR to FR multiplexing.
 Support up to 128 DLCIs for total of 31 FR interfaces.
 Support up to 128 VCs.
 Peak cell rate on DLCI basis.
 Manufacturing disable/enable ATM scrambling for internal testing (E1 ATM only).
 AAL0 and AAL5 are supported in the ATM adaptation layer.
 Support VBR service.
 ANSI and ITU FR management protocols are supported.
 Flash memory software download through RS485.
 Only the PVC type of ATM/FR service is supported.
 , IEC 61850-3, IEEE 1613

Router Interface

Number of ports	2 LAN ports, Max. 32 WAN ports
Physical Interface	10 BaseT x 1, 10/100 BaseT x 1
Connector	RJ45
Routing protocol	RIP-I, RIP-II
Data Rates	Channelized N x 64 Kbps up to T1/E1 capacity
Supporting Protocols	TCP/IP, PPP, HDLC

Router-A Interface

Number of ports	2 LAN ports, Max. 64 WAN ports, Each WAN port has data rate n x 64K bps, $1 \leq n \leq 32$ (≤ 4 Mbps for total of all 64 WAN ports)
Physical Interface	10/100 BaseT x 2
Connector	RJ45
Routing protocol	RIP-I, RIP-II, OSPF, Static
Supporting Protocols	PPP (IPCP/BCP), MLPPP, HDLC, Frame Relay, and Cisco compatible HDLC, NAT/NAPT, DHCP
Diagnostic	Ping, Trace route
QoS	Rate limit

Router-B Interface

Number of ports	8 LAN ports, Max. 64 WAN ports. Each WAN port has data rate n x 64K bps, $1 \leq n \leq 32$ (≤ 8 Mbps for total of all 64 WAN ports)
Physical Interface	10/100 BaseT x 8
Connector	RJ45
Routing protocol	RIP-I, RIP-II, OSPF, Static
Supporting Protocols	PPP (IPCP/BCP), MLPPP, HDLC, Frame Relay, and Cisco compatible HDLC, NAT/NAPT, DHCP
Diagnostic	Ping, Trace route
QoS	Rate limit
VLAN Q-in-Q	IEEE 802.1ad

Terminal Server Interface

Connector	One DB-44 conversion cable to one DB-9 and two DB-25 connectors
Ports	One Async RS232 port, two Async/Sync RS232 ports. The two Async/Sync ports can be configured independently as Asynchronous or Synchronous.
Data Rate	Async: 1.2kbps, 2.4kbps, 4.8kbps, 9.6kbps, 19.2kbps, 38.4kbps Sync: 64 kbps
Layer 2 Protocol of RS232 Async	raw data
Layer 2 Protocol of RS232 Sync	PPP
Terminal Server Function	Supports Telnet
Router Function	RIP-I, RIP-II, Static Route

Fiber Optical Interface (FOM, 1FOM-A)

Source	MLM Laser	Line Code	Scrambled NRZ
Wavelength	1310 \pm 50 nm, 1550 \pm 40 nm	Detector Type	PIN-FET

50 Km reach

Protection

Optional 1+1 APS

NOTE: Longer or shorter, 15 to 120Km, on special order.

Optical Module	Fiber Direction	Wavelength (nm)	Connector	Distance (km)
SAA	Dual uni-directional	1310	SC (Subscriber Connector)	30
SBB	Dual uni-directional	1310	SC (Subscriber Connector)	50
SCC	Dual uni-directional	1310	FC (Fiber Connector)	30
SDD	Dual uni-directional	1550	SC (Subscriber Connector)	20
SEE	Dual uni-directional	1550	SC (Subscriber Connector)	100
SSM	Single bi-directional (master)	1310/1550	SC (Subscriber Connector)	30
SSS	Single bi-directional (slave)	1550/1310	SC (Subscriber Connector)	30

NOTE: Other fiber optical options available on special order

G.SHDSL Line Interface

Number of ports	2 or 4
Line Rate for 4-channel G.shdsl	n x 64Kbps (n= 3 to 31)
Line Rate for 2-channel G.shdsl	n x 64Kbps (n= 3 to 15)
Line Code	16-TCPAM, full duplex with adaptive echo cancellation
Connector	RJ45
Electrical	Unconditioned 19-26 AWG twisted pair
Sealing current	Max. 20 MA source current
Clock Source	From System, Line
Diagnostic Test	G.SHDSL Loopback: To-LINE, To-bus BERT: QRSS

DTE Interface (X.21)

Data Port	1-port DTE X.21 card
Data Rate	56 or 64 Kbps, n = 1 to 32
Connector	DB15S

DTE Interface (V.35)

Data Port	1-port V.35 card
Data Rate	56 or 64 Kbps, n = 1 to 32
Connector	DB25S (optional conversion cable DB25S to M34 connector)

DTE Interface (EIA530/RS449)

Data Port	1-port EIA530 card
Data Rate	56 or 64 Kbps, n = 1 to 32
Connector	DB25S (optional conversion cable DB25S male to DB37 female connector for RS449)

DTE Interface (RS232/V.24)

Data Port	1-port RE232 card
Data Rate	56 or 64 Kbps *n, n=1 - 2
Mapping	Any sequential time slots

DTE Interface (RS232-X.50 mux. 8-port)

Data Port	Up to twelve 8-port RS232 cards		
MUX	Maximum 5 subrate port per 64K bps		
Data Rate	Asynchronous	Mux mode	0.6K, 1.2K, 2.4K, 4.8K, 9.6K
		Independent mode	0.6K, 1.2K, 2.4K, 4.8K, 9.6K, 19.2K, 38.4K
	Synchronous	Mux mode	0.6K, 1.2K, 2.4K, 4.8K, 9.6K
		Independent mode	0.6K, 1.2K, 2.4K, 4.8K, 9.6K, 19.2K, 38.4K, 48K, 64K

Card Type	Port Number							
	1	2	3	4	5	6	7	8
Eight RJ48	Async/ Sync ^{Note 1}	Async/ Sync ^{Note 1}	Async	Async/ Sync ^{Note 1}	Async/ Sync ^{Note 1}	Async	Async	Async
Two DB44 + Two RJ48	Async/Sync	Async/Sync	Async	Async/Sync	Async/Sync	Async	Async	Async
Connector	Eight RJ48 (port 1 to port 8) DB44 (port1,port2,port3), DB44 (port4,port5,port6), RJ48 (port7) and RJ48(port8)							
Conversion Cable	A three-into-one conversion cable adapts the DB44 connector to 3 connectors (one DB9S and							

Electrical two DB25S)
RS232 Interface, DCE

Note 1: Sync- with rate up to 19.2 Kbps achieved by oversampling at 64 Kbps

DTE Interface (RS232 with V.110 encoding, 6-port)

Data Port	Up to 6 port					
MUX	Maximum 6 subrate port / 64Kbps					
Protocol	Supports V.110					
Data Rate	Asynchronous	Mux mode	0.6K, 1.2K, 2.4K, 4.8K, 9.6K, 19.2K			
		Independent mode	0.6K, 1.2K, 2.4K, 4.8K, 9.6K, 19.2K, 38.4K			
	Synchronous	Mux mode	0.6K, 1.2K, 2.4K, 4.8K, 9.6K, 19.2K,			
		Independent mode	0.6K, 1.2K, 2.4K, 4.8K, 9.6K, 19.2K, 38.4K, 48K, 64K			
Card Type	Port Number					
	1	2	3	4	5	6
RJ48	Async	Async	Async	Async	Async	Async
DB44	Sync/Async	Sync/Async	Async	Sync/Async	Sync/Async	Async
Connector	DB44 (port1,port2,port3)			DB44 (port4,port5,port6) or RJ48 (port 1 to Port 6 are 6RJ48)		
Alarm	Remote Alarm					
	RTS Loss					
Loopback	To-DTE					
	To-DS1 (To Line)					
Electrical	RS232 Interface, DCE					

DTE Interface (Data Bridge Card)

Data Port	Up to twelve 8-port data bridge card (each card supports up to 120 DS0 for data bridge)	
Feature	20 end points per multi-drop circuit to into a logical ended 56K or 64K channel Per port supports bridge function to N remote Trib. Site (N=1~20)	
Data Rate	Asynchronous	Support to receive 1200 to 19200 bps asynchronous data via oversampling channel
Bridge function	one port with one DS-0 to many (Maximum is 20 for remote Tributary data box) 20 drops for each DS0 to remote Tributary data box and 8 ports RS232 shared the 128 channels.	

6UDTEA Card Specifications

Mode 1: DTE Interface (RS232)

Data Port	Up to 2		
MUX	Maximum 6 subrate port / 64Kbps		
Data Rate	Asynchronous	Mux mode	0.6K, 1.2K, 2.4K, 4.8K, 9.6K, 19.2K
		Independent mode	0.6K, 1.2K, 2.4K, 4.8K, 9.6K, 19.2K, 38.4K
	Synchronous	Mux mode	0.6K, 1.2K, 2.4K, 4.8K, 9.6K, 19.2K,
		Independent mode	0.6K, 1.2K, 2.4K, 4.8K, 9.6K, 19.2K, 38.4K, 48K, 64K
Connector	RJ48-ASYNC (Port5, Port6)		
Alarm	Remote Alarm		
	RTS Loss		
Loopback	To-DTE		
	To-DS1 (To Line)		
Electrical	DCE		
Protocol	V.110		

DTE Interface (RS422/RS232)

Data Port	Up to 4		
MUX	Maximum 4 subrate port / 64Kbps		
Data Rate	Asynchronous	Mux mode	0.6K, 1.2K, 2.4K, 4.8K, 9.6K, 19.2K
		Independent mode	0.6K, 1.2K, 2.4K, 4.8K, 9.6K, 19.2K, 38.4K
	Synchronous	Mux mode	0.6K, 1.2K, 2.4K, 4.8K, 9.6K, 19.2K,
		Independent mode	0.6K, 1.2K, 2.4K, 4.8K, 9.6K, 19.2K, 38.4K, 48K, 64K
Connector	DB44 (Port1, Port2), DB44 (Port3, Port4)		
Alarm	Remote Alarm		
	RTS Loss		
Loopback	To-DTE		

Electrical Protocol	To-DS1 (To Line) DCE V.110
<u>DTE Interface (X.21/RS232)</u>	
Data Port	Up to 4
MUX	Maximum 4 subrate port / 64Kbps
Subrate	Asynchronous Mux mode 0.6K, 1.2K, 2.4K, 4.8K, 9.6K, 19.2K Independent mode 0.6K, 1.2K, 2.4K, 4.8K, 9.6K, 19.2K, 38.4K Synchronous Mux mode 0.6K, 1.2K, 2.4K, 4.8K, 9.6K, 19.2K, Independent mode 0.6K, 1.2K, 2.4K, 4.8K, 9.6K, 19.2K, 38.4K, 48K, 64K
Connector	DB44 (Port1, Port2), DB44 (Port3, Port4)
Alarm	Remote Alarm RTS Loss
Loopback	To-DTE To-DS1 (To Line)
Electrical Protocol	DCE V.110
<u>Mode 2: DTE Interface (X.21/RS232/V.35/V.36/V.54/EIA530/RS449)</u>	
Data Port	Up to 4 (Port 1 to 4)
Data Rate	N*64kbps, N = 1 to 32
Connector	DB44 (Port 1, Port 2), DB44 (Port 3, Port 4)
Alarm	RTS Loss
Loopback	To-DTE To-DS1 (To Line)
Electrical	DCE
Note: When oversampling is enabled in MOD2, port 5 ~ 6 will be disabled.	
<u>Mode 3: DTE Interface (X.21/RS232/V.35/V.36/V.54/EIA530/RS449)</u>	
Data Port	Up to 4 (Port 1 to 4)
Data Rate	N*64kbps, N = 1 to 32 for port 1 ~ 3 N*64Kbps, N = 1 to 20 for port 4
Connector	DB44 (Port 1, Port 2), DB44 (Port 3, Port 4)
Alarm	RTS Loss
Loopback	To-DTE To-DS1 (To Line)
Electrical	DCE
Data Port	Up to 2 (Port 5, Port 6)
MUX	Maximum 2 oversampling port / 64Kbps
Data Rate	Asynchronous 200, 300, 0.6K, 1.2K, 2.4K, 4.8K, 9.6K, 19.2K, 38.4K
Connector	RJ48 (Port 5, Port 6)
Alarm	Remote Alarm RTS Loss
Loopback	To-DTE To-DS1 (To Line)
Electrical	DCE

1 Port OCU-DP Interface Card

Ports	1 Ports card
Operating Modes	4-wire DDS or switched 56
Dedicated Rates	SYNC: 2.4, 4.8, 9.6, 19.2, 56 and 64k clear channel Conforms with AT&T Pub 41458
OCU DP Operation	Conforms with AT&T 62310 and ANSI T1.410
Local Loop Signal	Bipolar Return to zero, 50% duty cycle
Transmit Amplitude	+/- 1.5 V (+/- 10%) peak, all rates except 9.6k +/- 0.75 V (+/- 10%) peak at 9.6k
Transmit Source Impedance	135 Ohms +/- 20%
Receive Input Impedance	135 Ohms +/- 20%
Receiver Sensitivity/ Dynamic Range	0 to 43 dB loop loss at 72K & 56K 0 to 34 all other rates
Physical Interface	4-wire loop interface RJ45 modular connector

Network to Loop Test Codes	Zero code suppression, Idle, out of service, UMC, MOS, TC, ABS, channel loopback, OCU and DSU loop-back, latch loop-back (TIP, LSC, LBE, FEV)
Loop to Network Test Codes	Zero code suppression, Idle

8 Port OCU-DP Interface Card

Ports	8 Ports for each card
Line Status Indicator	Per Port 1 dual color LED; Red for LOS, Green for SYNC
Network Connector	RJ48S
Electrical Network Connection	Tip/Ring and Tip1/Ring1
Transmit Source Impedance	135 Ohms +/-20%
Receive Input Impedance	135 Ohms +/-20%
Receiver Sensitivity	0 to 43 dB loop loss at 72K & 56K
Dynamic Range	0 to 34 all other rates Automatic line equalization
Pulse Amplitude	+/- 1.5V (+/-10%) peak, all rates except 9.6K +/-0.75 (+/-10%) peak at 9.6K
Sealing Current	Bipolar Return to zero, 50 duty cycle
Operating Modes	Typically 16mA DC 4-wire DDS
Circuit Rates	Switched 56 support is optional SYNC: 2.4, 4.8, 9.6, 19.2, 56, 72 kbps (64k) clear channel Conforms with AT&T Pub 41458
Encoding and decoding rules	Use bipolar violation to indicate control information: Idle, out of service, Zero Substitution using unframed loops
Maintenance control	DSU Non-latching loop-back code (for 2.4, 4.8, 9.6, 19.2, 56k circuit rate) DSU Latching loop-back (TIP, LSC, LBE, FEV) code (for 72k circuit rate)
	Machine maintenance OCU/DP card operation: Payload loopback OCU loopback Local loopback Bi-directional loopback V.54 remote loopback code Custom defined remote loopback code
Fault and Performance	BERT test support all ones, all zeros, 2047,511,63 pattern. LOS, OOS, ES, SES and UAS alarm.
Environment	Current, last 96 registry and 7 days performance storage. Operating: 0-50°C Storage: -25-75°C
Specification Standard	Humidity: Up to 90% RH non-condensing ANSI T1.410; AT&T Pub 62319, AT&T Pub 62310, ITU-T V.54

Co-directional Interface

Interface	ITU G.703 64 Kbps co-directional interface
Connector	120ohm, RJ48
Line Distance	Up to 500 meters
Loopback	DTE Payload Loopback, Local Loopback

C37.94 Interface

820nm

Source	LED	Optical Line Rate	2.048Mbps
Wavelength	820nm	Line Code	NRZ
Connector	ST	Fiber Type	Multi-mode
Optical Power	-12dBm		

850nm

Source	VCSEL	Optical Line Rate	2.048Mbps
Wavelength	850nm	Line Code	NRZ
Connector	ST Duplex Plastic Connector	Fiber Type	Multi-mode
Optical Power	-5.5dBm		

1310nm

Source	LED	Optical Line Rate	2.048Mbps
Wavelength	1310nm	Line Code	NRZ
Connector	ST	Fiber Type	Single & Multiple
Optical Power	-14dBm		

1550nm

Source	LED	Optical Line Rate	2.048Mbps
Wavelength	1550nm	Line Code	NRZ
Connector	SC	Fiber Type	Single & Multiple
Optical Power	-14dBm		

Dry Contact Type A Interface**Inputs -**

8-channel	2-port per card, 4-pair per port
Connector	RJ45
Internal Resistance	1 K
Activation Current	3 ma
Deactivation Current	1.5 ma
Allowable Current	4 ma
Input port	Provide 3.3V output

Outputs -

8-channel	8-pair per card
Connector	Screw type
Initial Insulation Resistance	Min. 100M ohm (at 500 Vdc)
Max. Current	5A
Max. Voltage	100 Vdc, 250 Vac
Short-circuit Current	5A

Dry Contact Type B Interface**Inputs -**

8-channel	2-port per card, 4-pair per port
Connector	RJ45
Internal Resistance	100 K
Activation Current	3 ma
Deactivation Current	1.5 ma
Allowable Current	4 ma

Outputs -

8-channel	8-pair per card
Connector	Screw type
Initial Insulation Resistance	Min. 1000M ohm (at 500 Vdc)
Max. Current	2A
Max. Voltage	220 Vdc, 250 Vac

Voice Card (Q2EM, Q4EM)

Connector	One 44-pin connector, adapter cable included for 4 RJ45 connectors.
Power	110-220Vac, -24Vdc, -48Vdc
Alarm Conditioning	CGA busy after 2.5 seconds of LOS, LOF
Encoding	A-law or μ -law, user selectable as a group
Impedance	Balanced 600 Ω or 900 Ω
Longitudinal Rejection	55 dB
Longitudinal Max	2.5 volts peak AC
Longitudinal Balance	> 63dB
Gain Adjustment (all port settings)	0, -3, -6 or +7 dB for transmit (D/A) gain 0, -3, -6 or +10 dB for receive (A/D) gain
Signal/Distortion	> 46dB with 1004 Hz, 0dBm input
Frequency Response	+0.5 to -0.9 dB from 300 to 3400 Hz
Idle Channel Noise	< 20 dBmCO
Signaling	Type 1, Type 2, Type 3, Type 4, Type 5, and also TO (Transmit Only)
Modems	Full compatibility with V.90 modems
E Lead Sensor Current	0.25 mA (minimum)
Signaling Bit Setting	Jump Selectable
Operational Temp.	0°C to +50°C
Relative Humidity	0% to 95%

- All in-band signaling tones are carried transparently by the digitizing process.
- Customer is responsible for in-band signaling compatibility between a telephone and a switch, or between a PBX and a switch.

Voice Card (QEMA)

Connector	One 44-pin connector, adapter cable included for 4 RJ45 connectors.
Power	110-220Vac, \pm 48Vdc
Alarm Conditioning	CGA busy after 2.5 seconds of LOS, LOF
Encoding	A-law or μ -law, user selectable as a group
Impedance	Balanced 600 or 900
Gain Adjustment (Per-port setting)	-10 to +7 dB / 0.1dB step for transmit (D/A) gain
Gain Variation	\pm 0.5 dB at 0 dBm0 input
Frequency Response	\pm 0.5 dB at 0 dBm0 input
I/O Power Range	A/D Analog input level: -66 dBm (0.00039 Vrms) ~ + 3 dBm (1.09 Vrms) D/A Analog output level: -66 dBm (0.00039 Vrms) ~ + 4 dBm (1.22 Vrms)
Longitudinal Balance	> 63dB
Longitudinal Conversion Loss	> 46dB

Total Distortion	> 35 dB at 0 dBm0 input
Idle Channel Noise	< -65 dBm0p
Wire Mode	2 wire and 4 wire
Signaling	Type I, Type II, Type III, Type IV, Type V, and TO (Transmission Only)
M Lead Output Current	18 mA (maximum)
E Lead Sensor Current	0.3 mA (minimum)
EM Type Setting	Jump Selectable
Operational Temp.	0°C to +50°C
Relative Humidity	0% to 95%
Carrier Connection	Side A and side B setup by Jump

All in-band signaling tones are carried transparently by the digitizing process.

Customer is responsible for in-band signaling compatibility between a telephone and a switch, or between a PBX and a switch.

Voice Card (8EM & 8EMA)

Connector	Eight RJ45
Power	100-240Vac or -48Vdc for 8E&M, ± 48 Vdc for 8EMA
Alarm Conditioning	CGA busy after 2.5 seconds of LOS, LOF
Encoding	A-law or μ -law, user selectable together for all
Impedance	Balanced 600 or 900 ohms
Gain Adjustment (Per-port setting)	-16 to +7 dB / 0.1dB step for transmit (D/A) gain -16 to +14 dB / 0.1dB step for receive (A/D) gain
I/O Power Range	A/D Analog input level: -66 dBm (0.00039 Vrms) ~ + 3 dBm (1.09 Vrms) D/A Analog output level: -66 dBm (0.00039 Vrms) ~ + 4 dBm (1.22 Vrms)
Gain Variation	± 0.5 dB at 0 dBm0 input
Frequency Response	± 0.5 dB at 0 dBm0 input
Longitudinal Conversion Loss	> 46dB
Total Distortion	> 35 dB at 0 dBm0 input
Idle Noise	< -65 dBm0p
Carrier Connection	Side A (exchange side) and Side B (carrier side) setup by side switch
Idle Channel Noise	Max. -65 dBm0p
Wire Mode	2 wire and 4 wire (programmable)
Signaling	Type 1, Type 2, Type 3, Type 4, and Type 5, Transmit only (programmable)
Modems	Full compatibility with V.90 modems
	<ul style="list-style-type: none"> All in-band signaling tones are carried transparently by the digitizing process. Customer is responsible for in-band signaling compatibility between a telephone and a switch, or between a PBX and a switch.

Magneto (old crank-handle hot-line telephones), MRD (Manual Ring Down) Voice Card

Connector	RJ11 x 4
Power	110-220 Vac or ± 48 Vdc
Alarm Conditioning	CGA busy after 2.5 seconds of LOS, LOF
Encoding	A-law or μ -law, user selectable together for all
Impedance	Balanced 600 or 900 ohms (for magneto telephone impedance)
Longitudinal Conversion Loss	> 46dB
Gain Adjustment	-16 to +7 dB / 0.1dB step transmit gain (D-A) -16 to +13 dB/0.1dB step receive gain (A-D)
Signal/ Distortion	> 25dB with 1004 Hz, 0dBm input
Frequency Response	- 0.25 to -1 dB from 300 to 3400 Hz, coincide with ITU-T G.712
Idle Channel Noise	Max. -65 dBm0p

Signaling

Minimum Detectable Ringing Voltage	16 Vrms
Crank Detectable Across	L1 & L2 Mode (Tip and Ring), L1 & GND Mode(Tip and GND)
Crank Detected time	Valid crank: more than 250 ms Invalid crank: less than 160 ms
Ring Generation	Voltage: 76 Vrms (sine wave) Frequency: 25Hz
Ring duration	Software configurable options:

1. **PLAR OFF**
 Continuous
 Ring duration depends on cranking time

One Time
 Crank the phone for one time, and the ring duration of the far-end phone could be 0.7, 1.0, 1.5 or 2.0 sec

2. **PLAR ON**
 when FXS phone off-hooked, the ring duration of the far-end magneto phone could be 0.7, 1.0, 1.5 or 2.0 sec

Ringing Send Across Signaling L1 & L2 Mode (Tip and Ring), L1 & GND Mode(Tip and GND)
 Turn Magneto Phone crank (Ringing across Tip and Ring or Tip and Ground)

- Signaling Bit A,B,C,D Programable
- Signaling is carried transparently by the digitizing process.
 - Use Magneto card default setting (PLAR OFF) for communications between magneto telephones
 - Use Magneto card PLAR ON mode setting for communications between a magneto telephone and a regular telephone
 - PLAR stands for *Private Line Auto Ring down*.

Echo Canceller Card

Echo Cancellation Channel Functions 64ms uni-directional, 64ms bi-directional and 128ms uni-directional
 Up to 64 channels
 - one way or bi-direction cancellation from PCM bus to ECA card
 - E1/T1 multichannel echo cancellation

PCM encoder/decoder LED Indicator Compliant Compatible with ITU-T G.711 A-law/Mu-law coding.
 Multi-color indication
 ITU-T G.165 and ITU-T G.168-2000 and 2002

Analog Bridge Card

Analog Bridge Architecture Group Functions PCM encoder/decoder Analog bridge card works with voice cards (E&M, Magneto, FXS and FXO*) supported by the AM3440 for analog voice modem application
 Master/Slave
 - Up to 8 groups. Each group has maximum 16 timeslots (2 DS0 for Master and 14 DS0 for Slave)
 Downstream 2 to many
 Upstream many to 2 (only one active)
 Compatible with ITU-T G.711 A-law/Mu-law coding.

* Future Option

M4TE Cards

The M4TE card supports DB37 to 4RJ48 connector, DB37 to 8BNC connector, and wire-wrap connector. E1/T1 per card is software configurable.

Network Line Interface - T1

Line Rate	1.544 Mbps ± 32 ppm	Framing	D4/ESF
Line Code	AMI/B8ZS	Connector	RJ48F, BNC, T1
Input Signal	DSX-1 0dB to -30dB w/ALBO	Output Signal	DSX-1 w/0, -7.5, -15 dB LBO
Jitter	AT&T TR 62411	Pulse Template	AT&T TR 62411
Data Rate	n * (64) Kbps (n=1 - 24)	Surge Protection	FCC Part 68 Sub Part D

Network Line Interface - E1

Line Rate	2.048 Mbps ± 50 ppm	Framing	ITU G.704
Line Code	AMI/HDB3	Connector	RJ48F or BNC
Input Signal	ITU G.703	Output Signal	ITU G.703
Jitter	ITU G.823	Electrical	75Ω coax/120Ω twisted pair
Data Rate	n * (64) Kbps (n = 1 - 32)		

Conference Card**RS232 Interface**

Data Port	2-ports per card
ASYNC Data Rate	300, 600, 1.2K, 2.4K, 4.8K, 9.6K, 19.2K
SYNC	not supported
Connector	Two DB9, DCE, female

FXS Voice Interface

Connector	Two RJ11
Encoding	G.723
Longitudinal Conversion Loss	> 46dB
Cross Talk Measure	Max -70dBm0
Gain Adjustment	transmit (D/A) gain 0, +6dB receive (A/D) gain +6, 0, -6dB
Signal/ Distortion	> 25dB with 1004 Hz, 0dBm input
Idle Channel Noise	Max. -65 dBm0p
Loop Resistance	Max 1800 ohm
FXS Loop Feed	-48 Vdc with 25mA current limit per port
FXS Ringing	2 REN 20Hz 76 Vrms 2 sec on / 4 sec off for 1 min, or 1 sec on / 2 sec off for 30 sec (programmable)
Signaling	Loop Start, DTMF

E&M Voice Interface

Connector	Two RJ45
Encoding	G.723
Impedance	Balanced 600 ohms
Longitudinal Conversion Loss	> 46dB
Gain Adjustment	transmit (D/A) gain 0, +6dB receive (A/D) gain +6, 0, -6dB
Signal/Distortion	> 25dB with 1004 Hz, 0dBm input
Idle Channel Noise	Max. -65 dBm0p
Carrier Connection	Side A = exchange side, Side B = carrier side (Jumper selectable)
Phone line power+12V	Type P (Jumper enable)
Operation mode	Master, standard (Jumper selectable)
Wire Mode	4 wire
Signaling Type	Type 1, Type 4, and Type 5 (Jumper selectable)
EM Ringing	Single rainging for 5 sec only 2 sec on / 4 sec off for 1 min, or 1 sec on / 2 sec off for 30 sec (programmable)

Voice Card (QFXO)

Quad FXO voice card (4 FXO per plug-in)	
Connector	1, 2, 3, or 4 FXO per RJ11 connector
Power for QFXO	110-220Vac, -24Vdc, and -48Vdc
Alarm Conditioning	CGA busy after 2.5 seconds of LOS, LOF
Encoding	A-law or μ -law, user selectable together for all
AC impedance	Balanced 600 or 900 ohms (selectable together for all)
Longitudinal Rejection	55 dB
Loss Adjustment	0, 3, 6, or 9 dB transmit & receive
Signal/ Distortion	> 46dB with 1004 Hz, 0dBm input
Frequency Response	- 0.25 to -1 dB from 300 to 3400 Hz
FXS Loop Feed	-48Vdc with 25mA current limit per port Jumper Selectable: 25mA, 30mA, 35mA
FXO	Ringing REN 0.5B (AC)
	Detectable Ringing 25 Vrms
	Loop Resistance \leq 1800 Ω
	DC impedance > 1M Ω
	(ON-HOOK)
	DC 235 Ω @ 25mA feed

	impedance(OFF-HOOK)
	90 Ω @ 100mA feed
FXS Ringing	Support 2 REN per port (1 REN = 6930 Ω + 8 μ F) 20 Hz, other frequencies: 16.7Hz, 25 Hz, 50Hz (Jump selectable) 78 Vrms (sine wave) (45 Vrms to 86 Vrms wide range by Resistor selectable) 2 sec on 4 sec off, or 1 sec on 2 sec off optional for PLAR
Metering Pulse	12KHz/ 16KHz
	<ul style="list-style-type: none"> Power: 10dBm Sensitivity: -27dBm (-21dBm to -45dBm by Resistor selectable)
Signaling	Loop Start, GND-Start, Metering Pulse (12KHz, 16KHz), DTMF, Dialing Pulse, PLAR, Battery Reverse (supports Line Reverse Signaling for Billing)
	<ul style="list-style-type: none"> All in-band signaling tones are carried transparently by the digitizing process. Customer is responsible for in-band signaling compatibility between a telephone and a switch, or between a PBX and a switch. -24Vdc power is for FXS PCB version C and up

Voice Card (QFXSA)

Quad FXSA voice card	(4 FXS per plug-in)
Connector	1, 2, 3, or 4 FXS per RJ11 connector
Power	\pm 48Vdc
Alarm Conditioning	CGA busy after 2.5 seconds of LOS, LOF
Encoding	A-law or μ -law, user selectable
AC impedance	Balanced 600 or 900 ohms (user selectable)
Longitudinal Rejection	55 dB
Gain Adjustment	-21 to +3 dB / 0.1 dB step for transmit (D/A) & receive (A/D) gain
Signal/ Distortion	> 46dB with 1004 Hz, 0dBm input
Frequency Response	- 0.25 to -1 dB from 300 to 3400 Hz
Loop Feed	\pm 48Vdc with 25mA current limit per port Jumper Selectable: 25mA, 30mA, 35mA
Ringing	Support 2 REN per port (1 REN = 6930 Ω + 8 μ F) 16.7Hz, 20Hz, 25 Hz, 50Hz (user programmable) Default 78 Vrms (sine wave) (64 Vrms by Jumper setting) 2 sec on 4 sec off, or 1 sec on 2 sec off optional for PLAR (user programmable)
Metering Pulse	12KHz/ 16KHz (2.4Vrm/1Vrm user programmable)
Signaling	Loop Start (Metering Pulse, DTMF, Dialing Pulse, PLAR), GND-Start (Tip Open, Ring GND), OOS Alarm, Battery Reverse
	<ul style="list-style-type: none"> All in-band signaling tones are carried transparently by the digitizing process. Customer is responsible for in-band signaling compatibility between a telephone and a switch, or between a PBX and a switch.

Voice Card (12FXS, 12FXO, 24FXS, 24FXO)

12 FXS/FXSA/FXO/FXOA Connector	Twelve RJ11
24 FXS/FXSA/FXO/FXOA Connector	One RJ21X Female
Alarm Conditioning	CGA busy after 2.5 seconds of LOS, LOF
Encoding	A-law or μ -law, user selectable together for all
AC Impedance	Balanced 600 or 900 ohms (selectable together for all)
Longitudinal Conversion Loss	> 46dB
Cross talk measure	Max -70dBm0
Gain Adjustment	FXS/FXSA: -21 to +3 dB / 0.1dB step transmit & receive FXO/FXOA: -21 to +10 dB / 0.1dB step transmit & receive
Signal/ Distortion	> 25dB with 1004 Hz, 0dBm input
Frequency Response	- 0.25 to -1 dB from 300 to 3400 Hz, coincide with ITU-T G.712
Idle Channel Noise	Max. -65 dBm0p
Variation of Gain	\pm 0.5dB
FXO/FXOA	Ringing REN 0.5B (AC) Detectable Ringing 25 Vrms Loop Resistance \leq 1800 Ω DC Impedance (ON-HOOK) > 1M Ω DC Impedance (OFF-HOOK) 235 Ω @ 25mA feed 90 Ω @ 100mA feed
FXS/FXSA Loop Feed	-48Vdc with 25mA current limit per port Jumper Selectable: 25mA(default=25mA), 30mA, or 35mA(sn=S1)
FXS/FXSA Signalling	Normal / PLAR: Private Line Auto Ring down
FXS/FXSA Ringing	1 REN at 5K meters per port

- 16.7Hz, 20Hz, 25Hz, 50Hz, user selectable for all ports
- Jumper selectable: 64, 76, and 85 Vrms (triangle wave), (default= 76 Vrms for Ring Voltage)
- 2 sec on 4 sec off, or 1 sec on 2 sec off optional for PLAR ON
- FXS/FXSA Tone Alarm Tone: 480Hz/620Hz/-24dBm
- FXS/FXSA functions Ring Back Tone: 440Hz/480Hz/-19dBm
- Basic functions: Bettary Reverse, Loop Star, PLAR
- Optional functions: PLAR ON/PLAR bit programmable, Ground Start, and/or Meter Pulse.
- Signaling Bit A,B,C,D Programable bit
- All in-band signaling tones are carried transparently by the digitizing process.
- Customer is responsible for in-band signaling compatibility between a telephone and a switch, or between a PBX and a switch.
- FXS/FXSA specification shown above support FXS/FXSA hardware version N and up.

Phone Line Monitor Card

- Connector Four RJ11 connectors
- Alarm Conditioning CGA busy after 2.5 seconds of LOS, LOF
- Encoding A-law or μ -law, user selectable as a group
- Impedance Balanced 15K Ohm
- Total Distortion > 35dB with 1004 Hz, 0dBm input
- Frequency Response 0 ~ -0.5 dB from 300 to 2000 Hz
- 0.5 dB ~ -2 dB from 2000 to 3300 Hz
- Idle Channel Noise > -60 dBm0
- Gain Adjustment 0, -3, -6 or +7 dB for PLM (B) transmit gain (D/A)
- (All Port Setting) 0, -3, -6 or +3dB for PLM (A) receive gain (A/D)
- Off-Hook Detect Level < -6V Line to GND
- Operational Temp. 0°C to 50°C
- Relative Humidity 0% to 95%
- Power 110 ~ 220 VAC, -48 Vdc
- All in-band signaling tones are carried transparently by the digitizing process.

Signaling Bits

Status		Normal								AB Bit Invert							
		Tx				Rx				Tx				Rx			
		A	B	C	D	A	B	C	D	A	B	C	D	A	B	C	D
PLM (A) to Line	Line On Hook	1	1	0	1					0	1	0	1				
	Line Off Hook	0	1	0	1					1	1	0	1				
PLM (B) to Monitor	Battery (-48V)					1	1	0	1					0	1	0	1
	Battery (-6V)					0	1	0	1					1	1	0	1

TDMoE(Discontinued)

Combo Gigabit Ethernet(GbE) Interface	
Number of Ports	2
Speed	10/100/1000M bps
Connector	RJ45 for twisted pair GbE, LC for optical GbE, auto detection
Gigabit Ethernet(GbE) Interface	
Number of Port	2
Speed	10/100/1000 BaseT
Connector	RJ45
Ethernet Function	
Basic Features	MDI/MDIX for 10/100/1000M BaseT auto-sensing
	Ping function contained ARP
	Per port, programmable MAC hardware address learn limiting (max. MAC table 8192 (8k) entry)
	Packet Delay Variation:

	<ul style="list-style-type: none"> - Unframed T1: Up to 340 ms - Framed T1: Up to 256 ms - E1: up to 256 ms - Framed T1 with CAS: Up to 192 ms
Packet Transparency	Packet transparency support for all types of packet types including IEEE 802.1q VLAN and 802.1ad (Q-in-Q)
QoS	User configurable 802.1p CoS, ToS in out going IP frame
Traffic Control	Ingress packet Rate limiting buckets per port for Ethernet port Supporting Rate-based and Priority-based rate limiting for LAN port Granularity: <ul style="list-style-type: none"> • From 64 Kbps to 1 Mbps in increments of 64 Kbps • From 1 Mbps to 100 Mbps in increments of 1 Mbps • From 100 Mbps to 1000 Mbps in increments of 10Mbps
Link Aggregation	Pause frame issued when the traffic exceeding the limited rate before packet dropped following IEEE802.3X WAN support link aggregation
<u>Jitter & Wander</u>	
	PPM: per G.823 Traffic
	PPB: per G.823 Synchronous
<u>Standard Compliance</u>	
IETF	TDMoIP (RFC5087), SAToP (RFC4553), CESoPSN (RFC5086)
IEEE	802.1q, 802.1p, 802.1d, 802.3, 802.3u, 802.3x, 802.3z, 802.1s, 802.1w, 802.1AX

Clock Source

Internal, E1/T1 Line, External

Alarm Relay

Max. Current: 1A for 24VDC, 0.625A for 48VDC

Fuse alarm, performance alarm

System Configuration Parameters

Active Configuration, Stored Configuration, and Default Configuration (Stored in Non-volatile Memory)

Management

CCA

Console

Electrical: RS232; Connector: DB9, female
User Interface: Menu driven VT-100

Ethernet

1 port, Connector: RJ45
10/100 Base T, SNMPv1, v1/v3/Telnet/SSH

Inband Management

Inband 64 Kbps, support HDLC/PPP

CCB

Console

Electrical: RS232; Connector: DB15, female (with DB15-to-DB9 adaptor)
User Interface: Menu driven VT-100

Ethernet

1 Combo GE port, Connector: RJ45 & SFP
SNMPv1/v3, Telnet/SSH

Inband Management

Inband 64 Kbps, support HDLC/PPP

Performance Monitor

Performance Registers

Last 24 hours performance in 15 minute intervals and last 7 days in 24 hour summaries

Separate Registers

Network, user, and remote site

Performance Reports

Reports include E1 Bursty Errored Second, Severe Errored Second, Degraded Minutes.
Also available in Statistics (%)

Alarm Queue

To record the latest alarm type, location, date and time

Threshold

Bursty Seconds, Severely Errored Second, Degraded Minutes

Diagnostics

Loopback

E1/T1 interface (Line Loopback, Payload Loopback, Local Loopback), DTE Loopback (DTE-to-DTE, DTE to Line)

Test Pattern

For Controller: 2²⁰-1, 2¹⁵-1, 2¹¹-1, 2⁹-1, and 4-byte user define pattern

Front Panel

Controller LED Indicators	Power, ACTIVE, ALARM A, B, C, D slots: SYNC/TEST, LOF, BPV, RAI/AIS
CCB Controller LED Indicators	Power, ACTIVE, ALARM A, B, C, D slots: Multi-Color LED indication

Physical /Electrical

	AM3440-A	AM3440-B	AM3440-C
Dimensions	432.4 x 220 x 223.5 mm (W×H×D)	438 x 110 x 224 mm (W×H×D)	438 x 132 x 224 mm (W×H×D)
Power	Single/ Dual -48 Vdc: -36 to -75 Vdc, 100 Watts max. Single/ Dual -48 Vdc: -36 to -75 Vdc, 150 Watts max. Single/ Dual -24 Vdc: -18 to -36 Vdc, 150 Watts max Single/ Dual -125 Vdc: -40 to -150 Vdc, 100 Watts max	Single/ Dual -48 Vdc: -36 to -75 Vdc, 100 Watts max. Single AC: 100 to 240 Vac, 50/60 Hz	Single/ Dual -48 Vdc: -36 to -75 Vdc, 100 Watts max. Single AC: 100 to 240 Vac, 50/60 Hz
Temperature	0-55°C	0-55°C	0-55°C
Humidity	0-95%RH (non-condensing)	0-95%RH (non-condensing)	0-95%RH (non-condensing)
Mounting	Desk-top stackable, 19" /23" rack mountable	Desk-top stackable, 19" /23" rack mountable	Desk-top stackable, 19" /23" rack mountable
Line Power Supply	Available only with DC power for G.SHDSL card only	N/A	N/A
Power Consumption	Max 110 Watts	Max 45 Watts	Max 57 Watts

Certification

AM3440-A	AM3440-B	AM3440-C
EN55022 Class A, EN50024, EN300 386, FCC Part 15 Class A, FCC Part 68, CS-03, IEC60950, UL60950, IEC 61850-3, IEEE 1613	EN55022 Class A, EN50024, EN300 386, FCC Part 15 Class A, FCC Part 68, CS-03, IEC60950-1, EN60950-1	EN55022 Class A, EN50024, EN300 386, FCC Part 15 Class A, IEC60950-1, CS-03, EN60950-1, IEC 61850-3, IEEE 1613

Compliance

ITU G.703, G.704, G.706, G.732, G.736, G.823, G.826, G.711, G.712, G.775, O.151, V.11, V.28, V.54
IETF SNMP v.3 (RFC2571~2575), ITU-T Rec.G.821, ITU-T Rec.G.827

Specifications for Loop-VV Y-BOX**LINE**

Connector	BNC or RJ48C
Port Number	For Y-BOX with BNC connectors: 4 line ports For Y-BOX with RJ48C connectors: 16 line ports
Protection	For Y-BOX with BNC connectors: support 2 Quad E1 plug-in card, 4 active E1, 4 standby E1 For Y-BOX with RJ48C connectors: support 8 Quad E1 plug-in cards, 16 active E1, 16 standby E1 For Y-BOX with RJ48C connectors: support 8 Quad T1 plug-in cards, 16 active T1, 16 standby T1

Mechanical

Height	44.5 mm/ 1.75 in
Width	432 mm/ 17 in
Depth	100 mm/ 3.9 in

Certification of IEC 61850-3 and IEEE1613:

The certification only applies to AM3440-A with -48Vdc(150W) and AM3440-C with -48Vdc(100W).

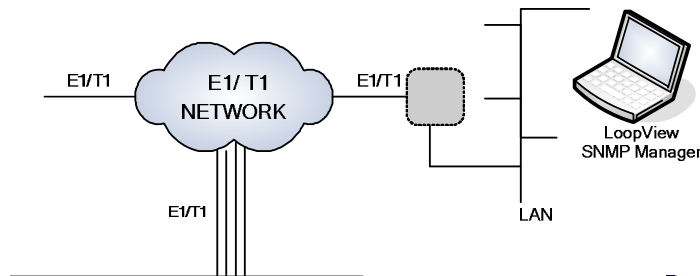
	Plug-in cards	AM3440-A	AM3440-C
Power	Power Module	-48Vdc (150W)	-48Vdc (100W)
CTRL	Console and SNMP port of CCA	√, S	√, S
	CCB	√, S [#]	√, S [#]
Mini-Slot	1-channel E1 (Single E1 interface)	√	√
	1-channel T1 (Single T1 interface)	√	√

	Mini Quad E1 (Four E1 interfaces)	√	√
	1-channel E1 ATM/Frame Relay	√, S, D	D, x
	1-channel T1 ATM/Frame Relay	√, S, D	D, x
	Fiber optical interface	√	√
	1-channel X.21	√, S	√, S
	1-channel V.35	√, S	√, S
	1-channel RS232	√, S	√, S
	1-channel EIA530	√, S	√, S
	Quad 2W/4W E&M (Four E&M voice interfaces)	x	√*
	QFXO (Four FXO voice interfaces)	x	√
	QMAGA (Four magneto voice interfaces)	x	x
	2-LAN port/32 WAN port Router	√, S	√, S
	2-LAN port/64 WAN port Router-A	√, S	√, S
	3-channel Terminal Server	√, S	√, S
	Phone Line Monitor (PLM) cards	x	x
	1-channel OCU-DP	x	√
	Echo Canceller Card	x	x
	Analog Bridge Card	x	x
Single-Slot	3-channel E1	√	√
	3-channel T1	√	√
	4-channel E1	√	√
	4-channel T1	√	√
	8-channel OCU-DP	√	x
	2-channel G.SHDSL (2 pairs) w/o line power	√	√
	4-channel G.SHDSL (1 pair) w/o line power	√	√
	8-channel G.703 card at 64 Kbps data rate	√	√
	8-channel Dry Contact I/O	√, S (Inputs)	√, S (Inputs)
	8-channel Dry Contact I/O type B	√, S (Inputs)	√, S (Inputs)
	8-channel 2W/4W E&M	√	√
	12-channel FXS	√	√
	12-channel FXO	√	√
	12-channel Magneto	D	D
	Conference card	√, S (DTE)	√, S (DTE)
	1-channel low speed optical (C37.94)	√	√
	4-channel low speed optical (C37.94)	√	√
	8-channel RS232 with X.50 subrate	√, S	√, S
	6-channel V.110	x	x
	8-LAN-port/ 64-WAN-port Router-B	√	√
	4-channel TDMoE	D	D
	4-channel TDMoEA	√#, S#	√#, S#
	8-channel Data Bridge	x	√, S
1FOMA	x	√	
8-channel UDTEA	x	√, S	
Dual-Slot	6-channel X.21/V.11	D	D
	6-channel V.35	√, S	√, S
	6-channel V.36	D	D
	6-channel EIA530/RS449 card	D	D
	2-channel G. SHDSL (2 pairs) with line power	D	D
	4-channel G. SHDSL (1 pair) with line power	D	D
	24-channel FXS	√	√*
	24-channel FXO	√	√

Note:

√ = Supported S = When Use Shield Cable D = Discontinued x = Not Support * = Power Option: pt1613
 # = Future Option

Application Illustrations



Dual- slot plug - in cards :

- ➔ 6 - channel X.21/V.11(D)
- ➔ 6 - channel V.35 (D)
- ➔ 6 - channel V.36 (D)
- ➔ 6 - channel EIA530 / RS449(D)
- ➔ 24 - channel FXS
- ➔ 24 - channel FXO
- ➔ 24 - channel FXOA
- ➔ 2 - channel G.SHDSL w / line power (D)
- ➔ 4 - channel G.SHDSL w/ line power (D)

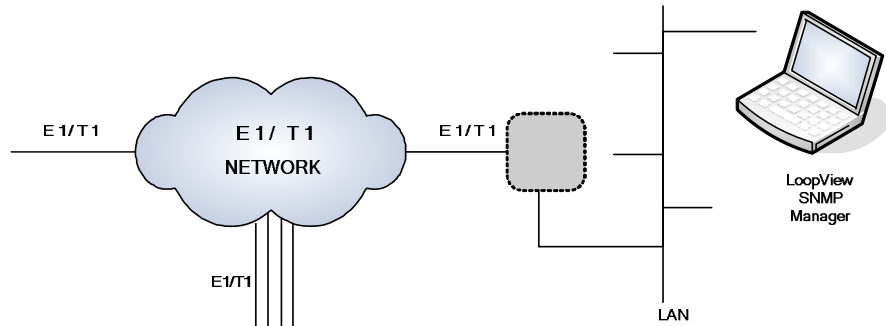
Mini- Slot plug - in Cards

- ➔ 1 - channel E1
- ➔ 1 - channel T1
- ➔ Mini Quad E1
- ➔ 1 - channel E1 ATM Frame Relay (D)
- ➔ 1 - channel T1 ATM Frame Relay (D)
- ➔ 32 WAN port Router
- ➔ 64 WAN port Router
- ➔ Fiber Optical Interface
- ➔ 3 - channel Terminal Server
- ➔ 1 - channel DTE (1X.21, 1V.35, 1RS232, or 1EIA530)
- ➔ ECA
- ➔ ABRA
- ➔ QMAGA*
- ➔ Quad 2W/4W E&M*
- ➔ QFXO*
- ➔ QFXSA*

Single- Slot plug-in Cards :

- ➔ 3 - channel E1 ^{Note}
- ➔ 4 - channel E1
- ➔ 4 - channel T1
- ➔ 8 - channel OCU - DP
- ➔ 2 - channel G.SHDSL w/o line power (D)
- ➔ 4 - channel G SHDSL w/o line power (D)
- ➔ 8 - channel G.703 64 Kbps
- ➔ 8 - channel Dry Contact I/O
- ➔ 8 - channel Dry Contact I/O type B
- ➔ 8 - channel 2W/4W E&M
- ➔ 8 - channel 2W/4W E&MA
- ➔ 12 - channel FXS / FXSA
- ➔ 12 - channel FXO / FXOA
- ➔ 12 - channel Magneto (D)
- ➔ 1 - channel C37.94
- ➔ 4 - channel C 37.94
- ➔ 8 - channel RS232 with X.50 substrate
- ➔ 6 - channel V.110
- ➔ 8 - LAN - port /64 - WAN - port Router - B
- ➔ Conference card
- ➔ TDMoE (D) / TDMoEA
- ➔ 8- Data Bridge
- ➔ 1FOM-A
- ➔ 8UDTEA
- ➔ 6UDTEA

Note : Only CHAJ Unit applicable to DS0 SNCP function
(D) = Discontinued
*For Chassis AK only



Mini- Slot plug-in Cards

- ➔ 1- channel E1
- ➔ 1- channel T1
- ➔ Mini Quad E1
- ➔ 1- channel E1 ATM Frame Relay (D)
- ➔ 1- channel T1 ATM Frame Relay (D)
- ➔ 32 WAN port Router
- ➔ 64 WAN port Router
- ➔ Fiber Optical Interface
- ➔ 3- channel Terminal Server
- ➔ Quad 2W/4W E&M
- ➔ QFXO
- ➔ QMAGA
- ➔ QFXSA
- ➔ 1- channel DTE (1X.21, 1V.35, 1RS232, or 1EIA530)
- ➔ 1- channel OCU-DP
- ➔ Phone Line Moitor Card
- ➔ ECA
- ➔ ABRA
- ➔ QEMA

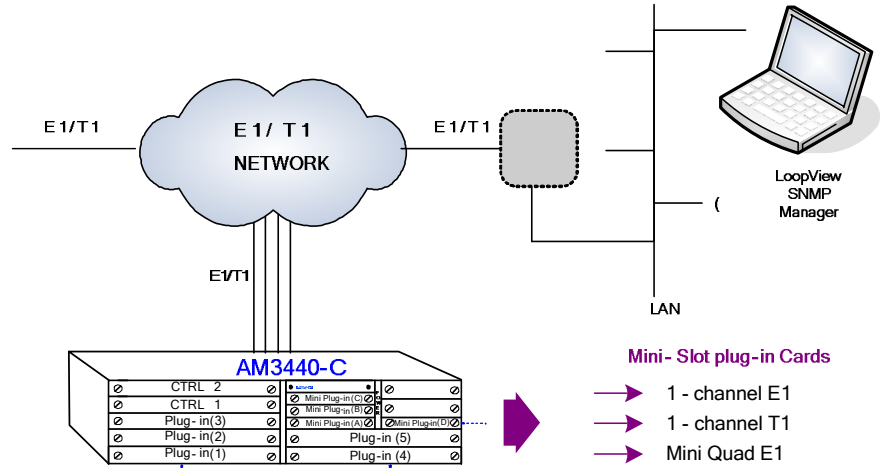
Dual- slot plug-in cards :

- ➔ 6- channel X.21/V.11(D)
- ➔ 6- channel V.35(D)
- ➔ 6- channel V.36(D)
- ➔ 6- channel EIA530/RS449 (D)
- ➔ 24- channel FXS
- ➔ 24- channel FXO
- ➔ 24- channel FXOA
- ➔ 2- channel G .SHDSL w/ o line power (D)
- ➔ 4- channel G .SHDSL w/ o line power (D)

Single- Slot plug-in Cads:

- ➔ 3 - channel E1 ^{Note}
- ➔ 3 - channel T1
- ➔ 4 - channel E1
- ➔ 4 - channel T1
- ➔ 2 - channel G.SHDSL w/ o line power (D)
- ➔ 4 - channel G.SHDSL w/ o line power (D)
- ➔ 8 - channel G.703 64 Kbps
- ➔ 8 - channel Dry Contact I/O
- ➔ 8 - channel Dry Contact I/O Type B
- ➔ 8 - channel 2W/4W E&M
- ➔ 8 - channel 2W/4W E&MA
- ➔ 12 - channel FXS /FXSA
- ➔ 12 - channel FXO / FXOA
- ➔ 12 - channel Magneto (D)
- ➔ 1 - channel C37.94
- ➔ 4 - channel C37.94
- ➔ 8 - channel RS232 with X.50 subrate
- ➔ 6 - channel V.110
- ➔ 8 - LAN- port / 64- WAN - port Router -B
- ➔ 8 - Data Bridge
- ➔ 1FOMA
- ➔ 8UDTEA
- ➔ 6UDTEA
- ➔ Conference card
- ➔ TDMoE (D) / TDMoEA

Note: Not Applicable to DS0 SNCP function
(D) = Discontinued



Dual- slot plug-in cards :

- 6- channel X.21/V.11 (D)
- 6- channel V.35 (D)
- 6- channel V.36 (D)
- 6- channel EIA530/RS449 (D)
- 24- channel FXS
- 24- channel FXO
- 24- channel FXOA
- 2- channel G.SHDSL w / o line power (D)
- 4- channel G.SHDSL w / o line power (D)

Single- Slot plug-in Cards:

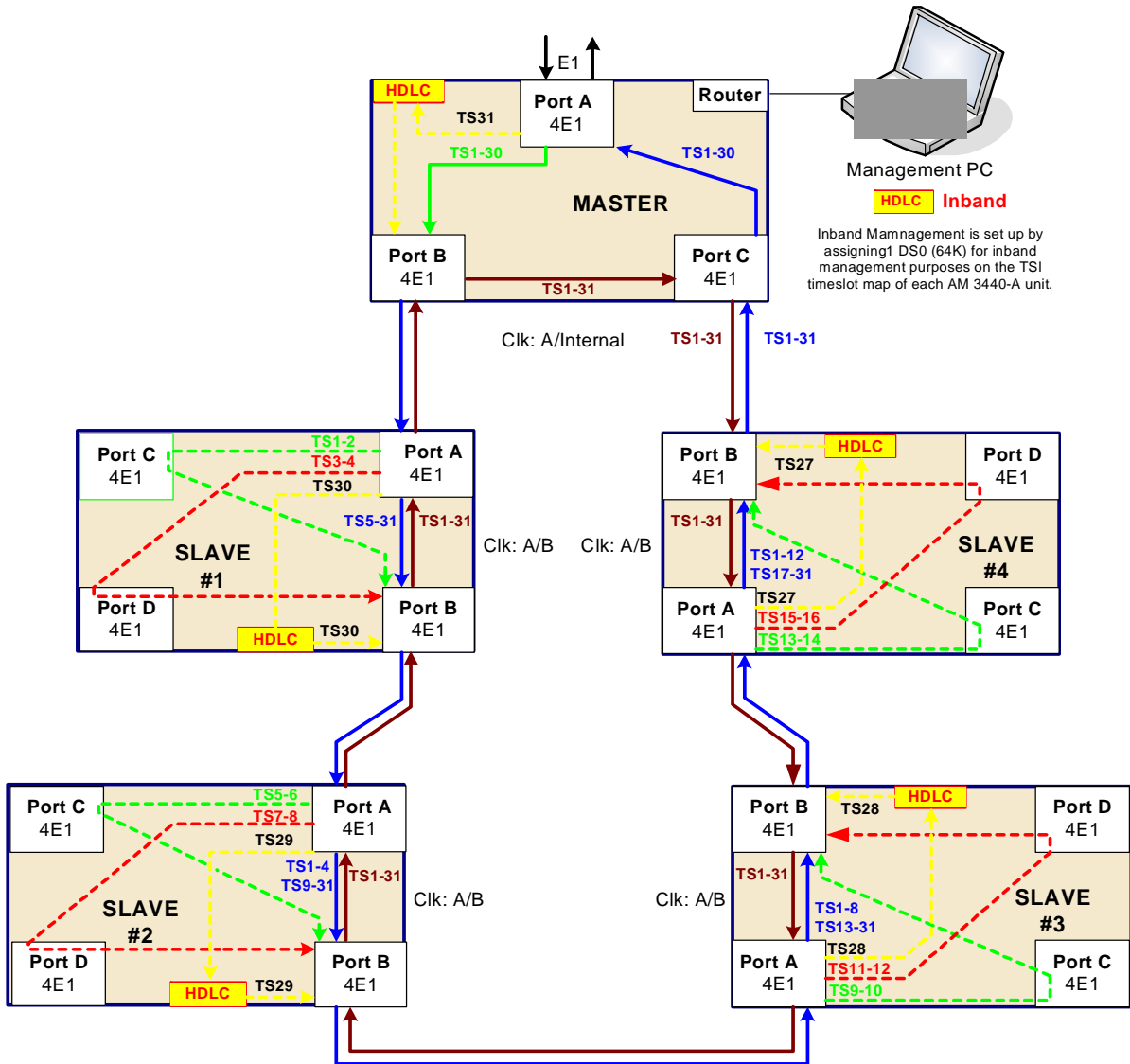
- 3 - channel E1 ^{Note}
- 3 - channel T1
- 4 - channel E1
- 4 - channel T1
- 2- channel G .SHDSL w / o line power (D)
- 4- channel G .SHDSL w / o line power (D)
- 8- channel G .703 64 Kbps
- 8- channel Dry Contact I/O type B
- 8 - channel Dry Contact I/O
- 8 - channel 2W4W E&M
- 8 - channel 2W/4W E&MA
- 12 - channel FXS / FXSA
- 12 - channel FXO / FXOA
- 12 - channel Magneto (D)
- 1- channel C37.94
- 4 - channel C37.94
- 8 - channel RS232 with X.50 subrate
- 6 - channel V.110
- 8- LAN-port / 64- WAN - port Router -B
- Conference card
- TDMoE (D) / TDMoEA
- 8- Data Bridge
- 1FOMA
- 8UDTEA
- 6UDTEA

Mini- Slot plug-in Cards

- 1 - channel E1
- 1 - channel T1
- Mini Quad E1
- 1 - channel E1 ATM Frame Relay (D)
- 1 - channel T1 ATM Frame Relay (D)
- 32WAN port Router
- 64 WAN port Router
- Fiber Optical Interface
- 3- channel Terminal Server
- Quad 2 W/4W E&M
- QFXO
- QMAGA
- QFXSA
- 1 - channel DTE (1X.21, 1V.35, 1RS232, or 1EIA530)
- 1 - channel OCU-DP
- Phone Line Moitor Card
- ECA
- ABRA
- QEMA

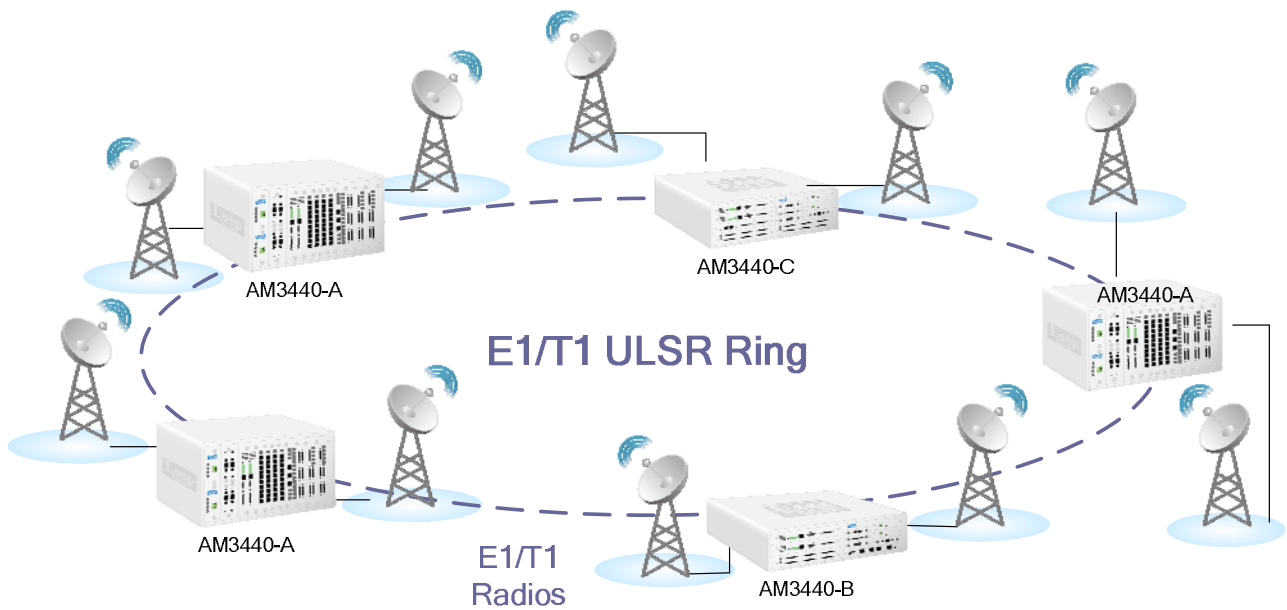
Note : Only CHCJ Unit applicable to DS0 SNCP function (D) = Discontinued

ULSR Ring Application



Note: ULSR ring does not support E1 unframed mode. Users must use E1 framed mode to set up a ULSR ring.

AM3440 ULSR Ring Application through E1/T1 Radio



Loop Telecommunications NA, Inc.
2949 CR 1000 E
Dewey, IL 61840
Voice 1.561.310.5522
Web www.looptelecomna.com